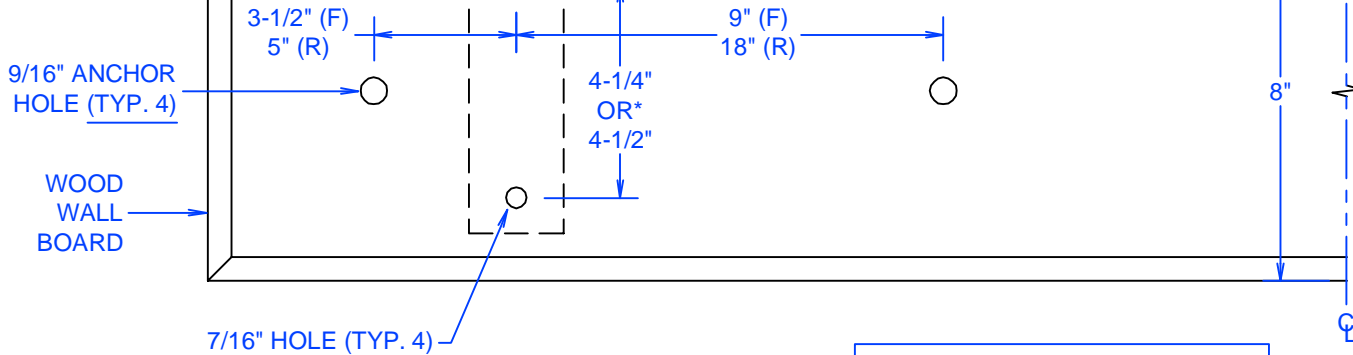


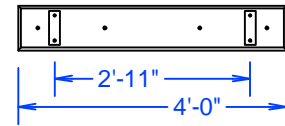
UPPER WALL BOARD

FRONT VIEW

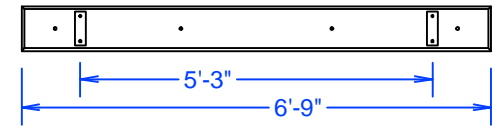


THESE DETAILS ARE FOR HORIZONTAL MOUNTED WALL BOARDS ONLY.

FAN (F) BACKBOARD WALL BOARD



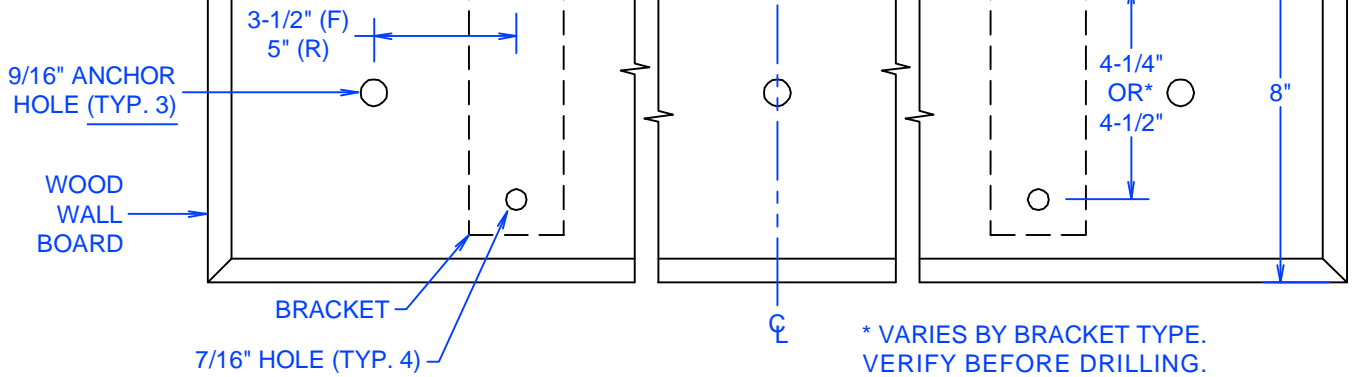
RECT. (R) BACKBOARD WALL BOARD



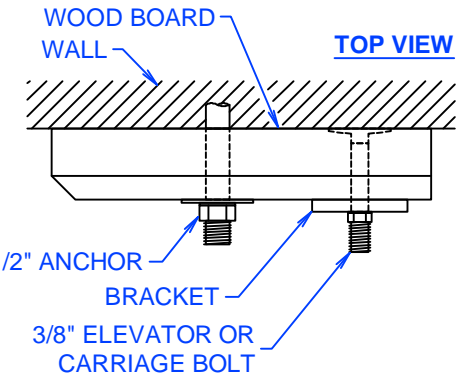
INSTALLER NOTES:
 ELEVATOR OR CARRIAGE BOLT MUST BE INSTALLED BEFORE ANCHORING THE WALL BOARD TO THE WALL. INSTALLER TO DRILL HOLES IN FIELD. THESE DIMENSIONS ARE RECOMMENDED DRILLING LOCATIONS. INSTALLER MAY NEED TO ADJUST HOLE LOCATIONS TO FIT PROJECT CONDITIONS. ANCHORS PROVIDED BY INSTALLER. 1/2" DIAMETER ANCHORS REQUIRED.

LOWER TWO WALL BOARDS

FRONT VIEW



* VARIES BY BRACKET TYPE. VERIFY BEFORE DRILLING.



REVISION / STAGE:	MONTH / DAY / YEAR	RELATED DRAWINGS / INFORMATION:
WM-1.2		THIS DRAWING IS PROPERTY OF ARIZONA COURTLINES, INC. AND MAY NOT BE REPRODUCED WITHOUT WRITTEN PERMISSION

WALL MOUNTED BASKETBALL BACKSTOPS

WALL BOARD TYPICAL HOLE DIMENSIONS

ARIZONA COURTLINES, INC.



8742 NORTH 78TH AVENUE
 PEORIA, ARIZONA 85345
 TEL. 623.939.8126
 FAX. 623.939.2526
 www.ARIZONACOURTLINES.com

DRAWN BY:
EDDIE CAFFERAT

CHECKED BY:

QUANTITY: