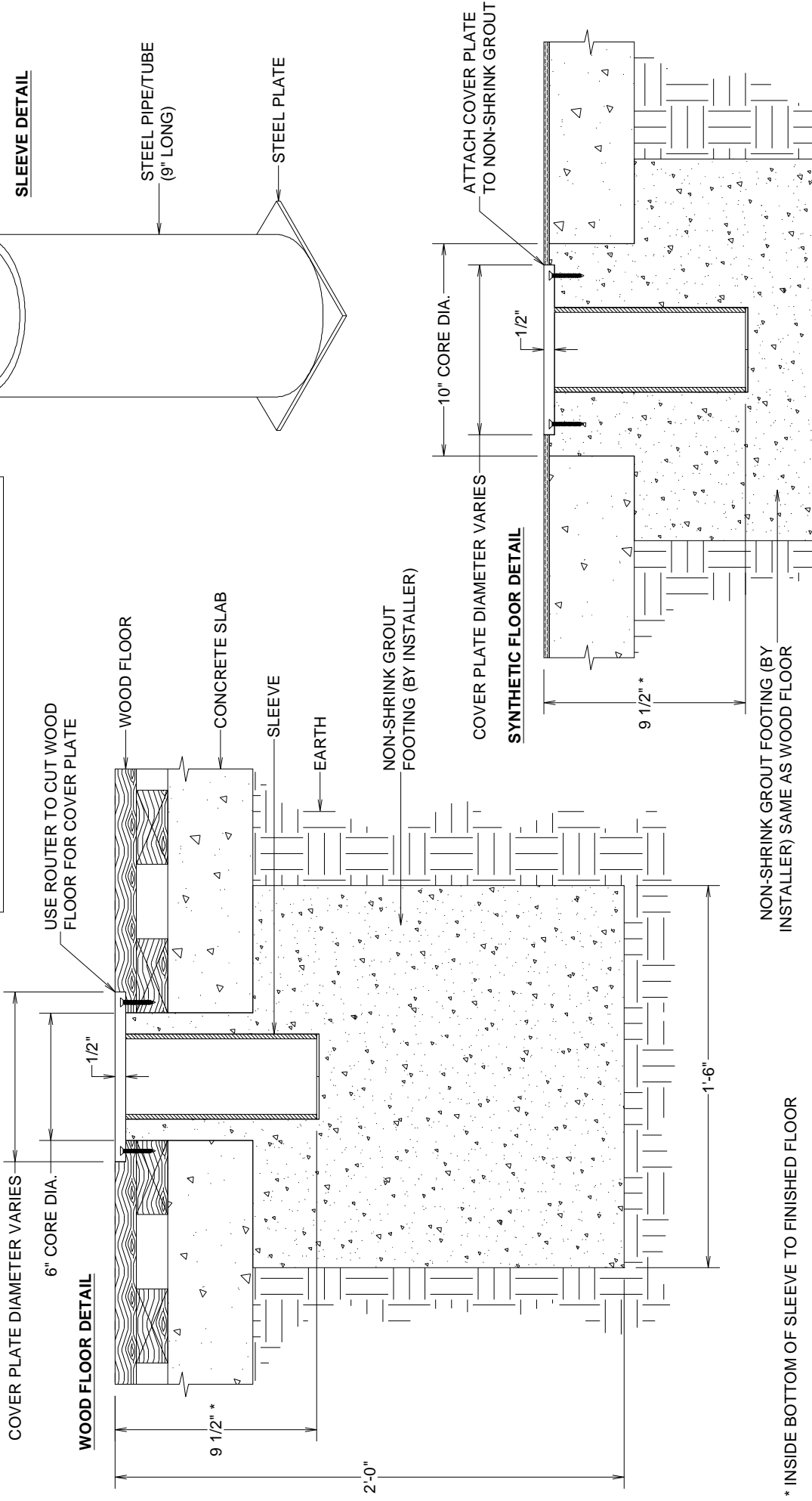
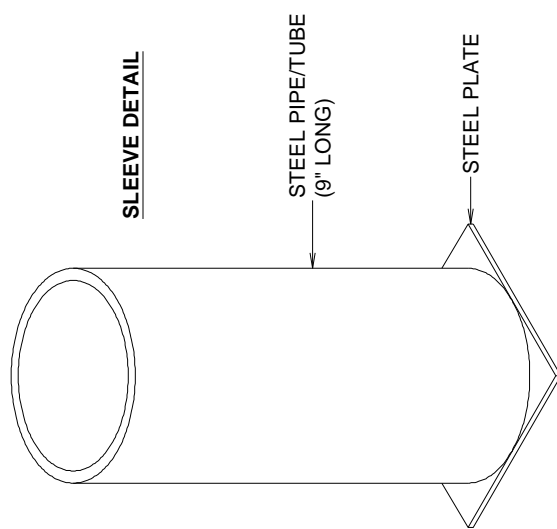


CUSTOM LENGTHS AND SIZES AVAILABLE

BLOCK OUT OPTION: TO AVOID CORE DRILLING SLEEVE LOCATIONS CAN BE BLOCKED OUT BEFORE CONCRETE SLAB IS POURED. DETERMINE CENTER OF SLEEVE LOCATIONS. BLOCK OUT AREA SHOULD BE 18" X 18" AND CENTERED ON SLEEVE LOCATION.



* INSIDE BOTTOM OF SLEEVE TO FINISHED FLOOR



INDOOR SLEEVE FOR USE WITH COVER PLATE

- SPECIFY POST O.D. SIZE:**
- 2-3/8" (FS-238)
 - 3" (FS-300)
 - 3-1/2" (FS-312)
 - 4" (FS-400)

REVISION / STAGE	MONTH / DAY / YEAR	RELATED DRAWINGS / INFORMATION:
INDOOR SLEEVE		

ARIZONA COURT LINES, INC.
 8742 NORTH 78TH AVENUE, PEORIA, ARIZONA 85345
 TEL. 623.939.8126 FAX. 623.939.2526
 WWW.ARIZONACOURTLINES.COM

DRAWN BY: EDDIE CAFFERATA
 QUANTITY: _____

THIS DRAWING IS PROPERTY OF ARIZONA COURT LINES, INC. AND MAY NOT BE REPRODUCED WITHOUT WRITTEN PERMISSION