

**SPECIFICATIONS:**

DIMENSIONS: 72" X 42" X 2-3/16"

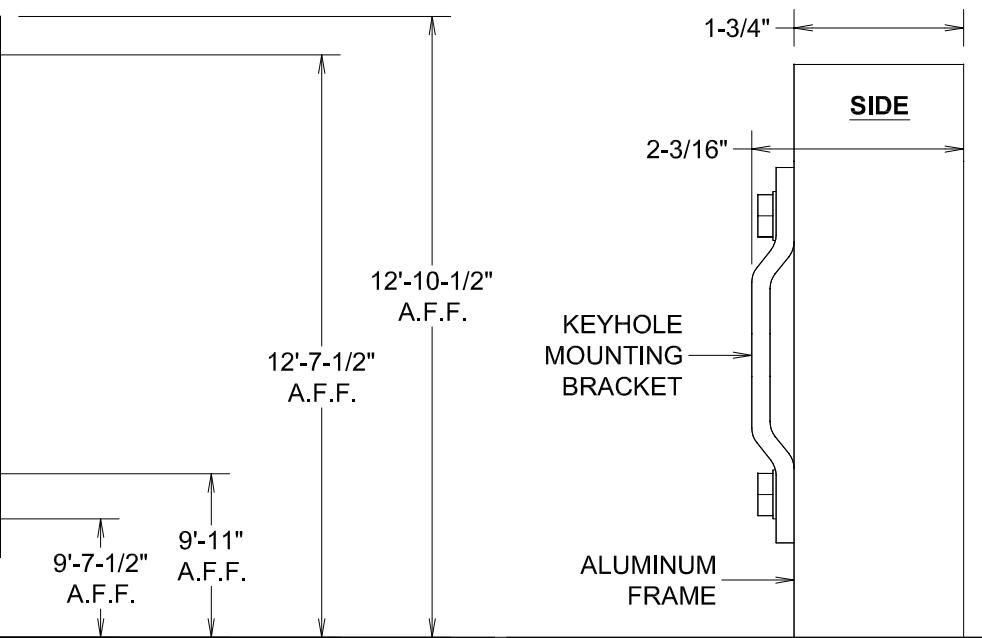
MOLDED FIBERGLASS REINFORCED WITH WOOD CORE.

EXTRUDED ALUMINUM FRAME FITTED ON ALL FOUR SIDES WITH MITERED CORNERS FOR MAXIMUM DURABILITY. PRE-FABRICATED FOR BOLT-ON BACKBOARD PADS.

OFFICIAL ORANGE PERIMETER AND TARGET MARKINGS.

STEEL KEYHOLE MOUNTING BRACKETS WITH STANDARD MOUNTING PATTERN (63" X 36"). FOR 3/8" HARDWARE.

STANDARD 5" X 4" GOAL MOUNTING PATTERN. FOR 3/8" HARDWARE.



REVISION / STAGE:	MONTH / DAY / YEAR	RELATED DRAWINGS / INFORMATION:
<b>BBFG-42</b>		THIS DRAWING IS PROPERTY OF ARIZONA COURTLINES, INC. AND MAY NOT BE REPRODUCED WITHOUT WRITTEN PERMISSION

**BBFG-42**

**72" X 42" FIBERGLASS BACKBOARD  
ALUMINUM FRAMED**

**ACI**  
ARIZONA COURTLINES, INC.  
8742 NORTH 78TH AVENUE, PEORIA, ARIZONA 85345  
TEL. 623.939.8126 FAX. 623.939.2526  
www.ARIZONACOURTLINES.com

DRAWN BY:  
EDDIE CAFFERATA

QUANTITY: \_\_\_\_\_