

ALUMINUM F-FRAME

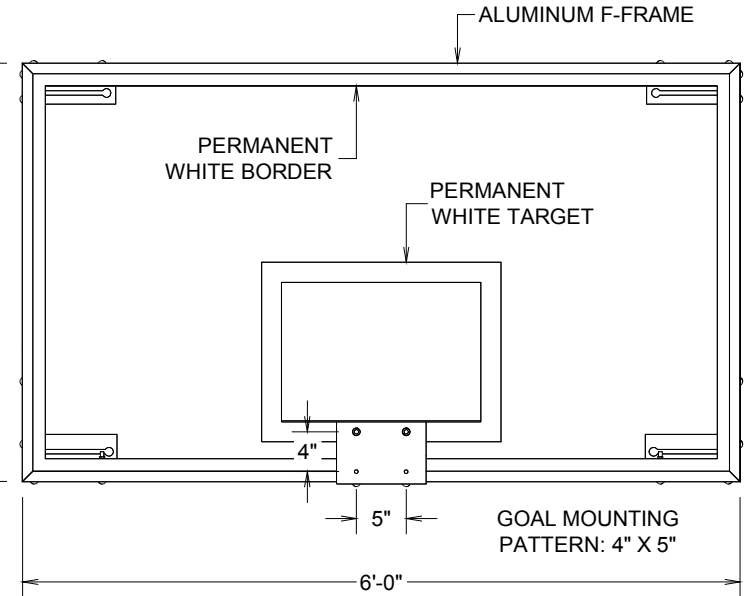
PRE-DRILLED FOR
BACKBOARD PADS

3/8" DIA. FRAME
HARDWARE

WEIGHT: 220 LBS.

2 7/16"

3'-6"



ALUMINUM F-FRAME

PERMANENT
WHITE BORDER

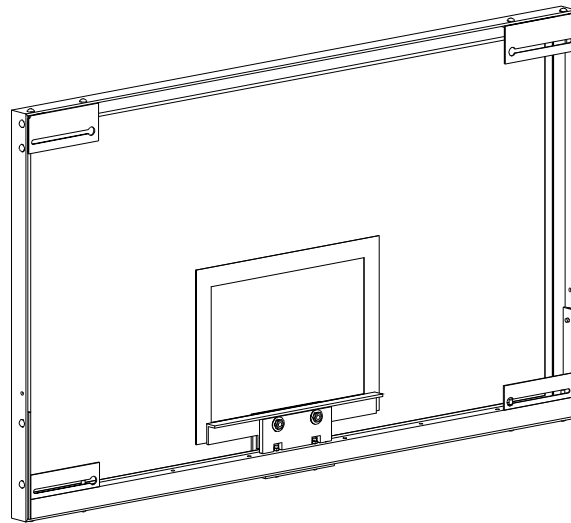
PERMANENT
WHITE TARGET

GOAL MOUNTING
PATTERN: 4" X 5"

4"

5"

6'-0"



1/2" THICK TEMPERED GLASS

U-SHAPED RUBBER GASKET
BETWEEN GLASS AND FRAME

PRESSBOARD GASKETS BETWEEN
ALL STEEL AND GLASS PARTS

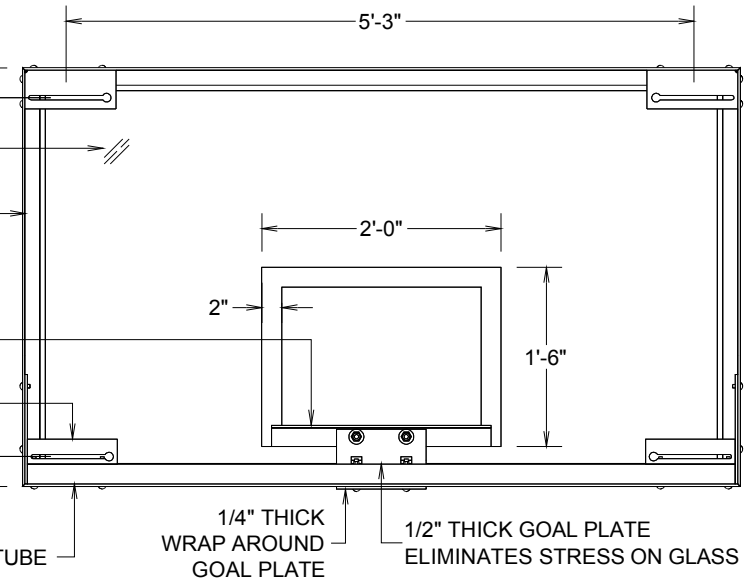
FOUR CORNER MOUNTS WITH
SLOTS FOR 3/8" CARRIAGE BOLTS

3"

3'-0"

3"

1-1/2" X 2" FULL LENGTH STEEL TUBE



1/4" THICK
WRAP AROUND
GOAL PLATE

1/2" THICK GOAL PLATE
ELIMINATES STRESS ON GLASS

2"

2'-0"

1'-6"

3"

5'-3"

BBG-42

72" X 42" TEMPERED GLASS BACKBOARD



ACI

ARIZONA COURTLINES, INC.
8742 NORTH 78TH AVENUE, PEORIA, ARIZONA 85345
TEL. 623.939.8126 FAX. 623.939.2526
www.ARIZONACOURTLINES.com

DRAWN BY:
EDDIE CAFFERATA

QUANTITY: _____

REVISION / STAGE: MONTH / DAY / YEAR

RELATED DRAWINGS / INFORMATION:

BBG-42

THIS DRAWING IS PROPERTY OF ARIZONA COURTLINES, INC.
AND MAY NOT BE REPRODUCED WITHOUT WRITTEN PERMISSION