

**SPECIFICATIONS:**

DIMENSIONS: 72" X 42" X 2-3/16"

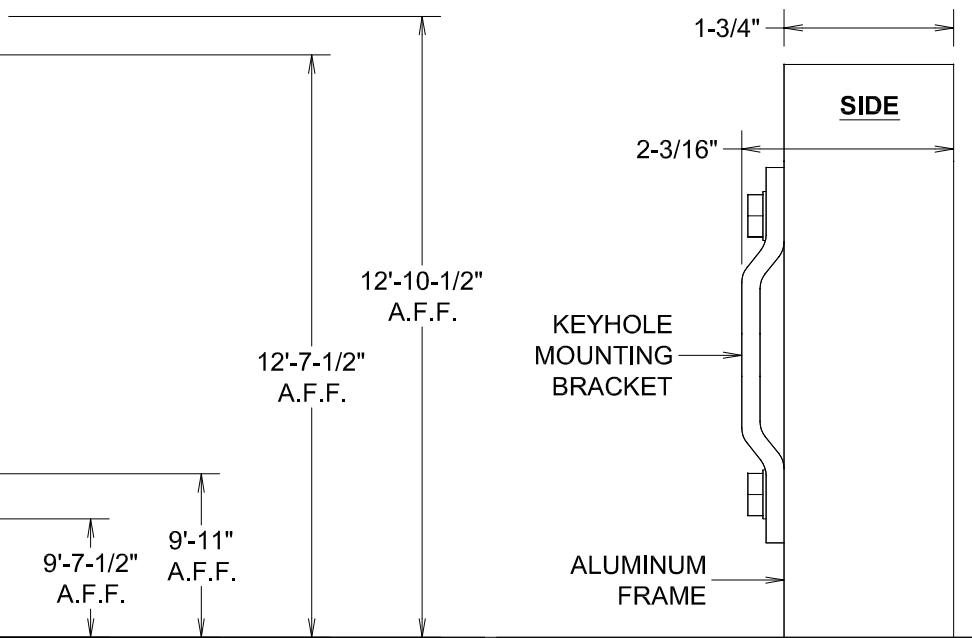
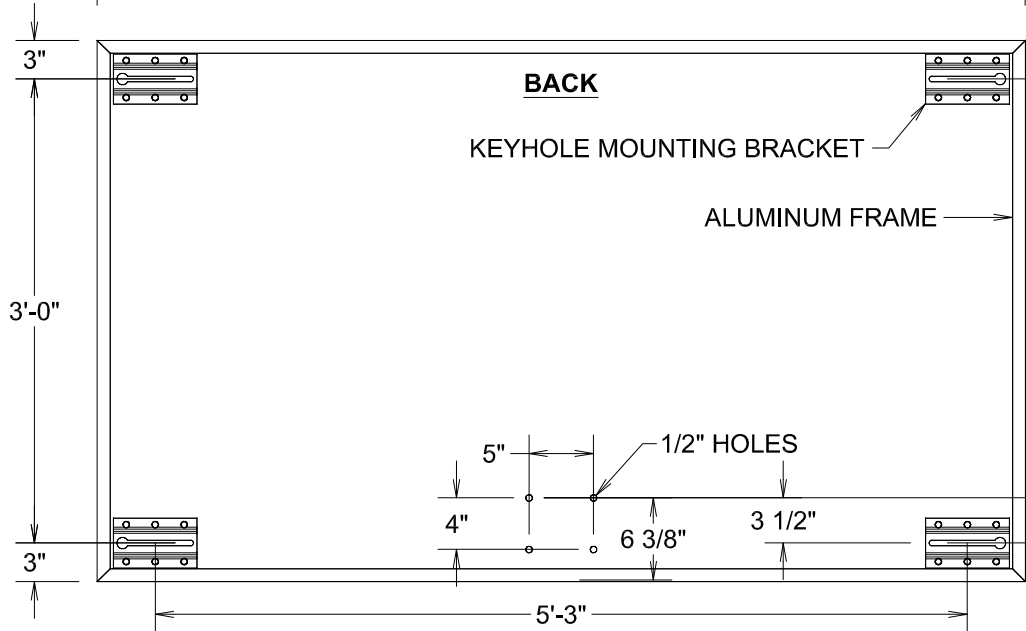
1-1/2" THICK SOLID LAMINATED HIGH DENSITY (55LB.) WOOD PARTICLEBOARD CORE WITH 1/32" THICK THERMALLY FUSED WHITE MELAMINE RESIN FRONT AND BACK.

EXTRUDED ALUMINUM FRAME FITTED ON ALL FOUR SIDES WITH MITERED CORNERS FOR MAXIMUM DURABILITY. PRE-FABRICATED FOR BOLT-ON BACKBOARD PADS.

OFFICIAL ORANGE PERIMETER AND TARGET MARKINGS.

STEEL KEYHOLE MOUNTING BRACKETS WITH STANDARD MOUNTING PATTERN (63" X 36"). FOR 3/8" HARDWARE.

STANDARD 5" X 4" GOAL MOUNTING PATTERN. FOR 3/8" HARDWARE.



REVISION / STAGE:	MONTH / DAY / YEAR	RELATED DRAWINGS / INFORMATION:
BBW-42		THIS DRAWING IS PROPERTY OF ARIZONA COURTLINES, INC. AND MAY NOT BE REPRODUCED WITHOUT WRITTEN PERMISSION

**BBW-42**

**72" X 42" WOOD BACKBOARD  
ALUMINUM FRAMED**

**ARIZONA COURTLINES, INC.**  
 8742 NORTH 78TH AVENUE, PEORIA, ARIZONA 85345  
 TEL. 623.939.8126 FAX. 623.939.2526  
 www.ARIZONACOURTLINES.com

DRAWN BY: EDDIE CAFFERATA

QUANTITY: \_\_\_\_\_