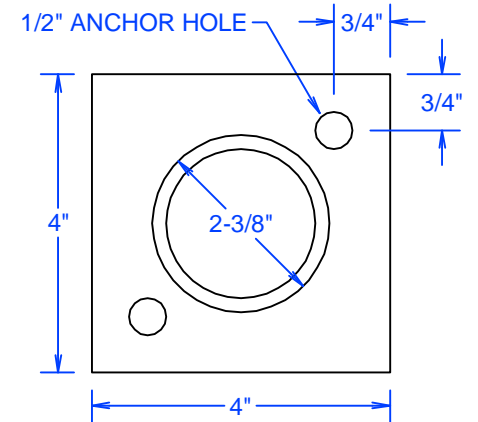
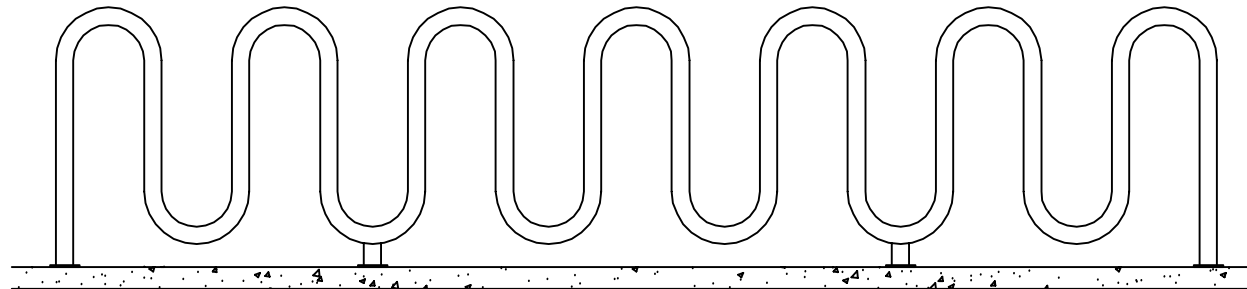


SURFACE MOUNT PLATE



ANCHORS PROVIDED BY INSTALLER.
TWO ANCHORS PER PLATE.
3/8" ANCHORS RECOMMENDED.

SURFACE MOUNT



| × | MODEL | FINISH | INSTALL TYPE |
|---|---------|---------------|---------------|
| | BR-13GI | GALVANIZED | IN-GROUND |
| | BR-13GS | GALVANIZED | SURFACE MOUNT |
| | BR-13PI | POWDER COATED | IN-GROUND |
| | BR-13PS | POWDER COATED | SURFACE MOUNT |

| INSTALL TYPE | CUT LENGTH |
|---------------|----------------|
| IN-GROUND | 44'-10" [538"] |
| SURFACE MOUNT | 43'-2" [518"] |

| REVISION / STAGE: | MONTH / DAY / YEAR | RELATED DRAWINGS / INFORMATION: |
|-------------------|--------------------|---|
| _____ | FEBRUARY 27, 2012 | |
| _____ | _____ | |
| _____ | _____ | |
| _____ | _____ | |
| BR-13 | | THIS DRAWING IS PROPERTY OF ARIZONA COURTLINES, INC. AND MAY NOT BE REPRODUCED WITHOUT WRITTEN PERMISSION |

BR-13

WAVE STYLE BIKE RACK (13-LOOP)

ARIZONA COURTLINES, INC.

8742 NORTH 78TH AVENUE
PEORIA, ARIZONA 85345
TEL. 623.939.8126
FAX. 623.939.2526
www.ARIZONACOURTLINES.com

| |
|------------------------------------|
| DRAWN BY: EDDIE CAFFERAT |
| CHECKED BY: |
| QUANTITY: |