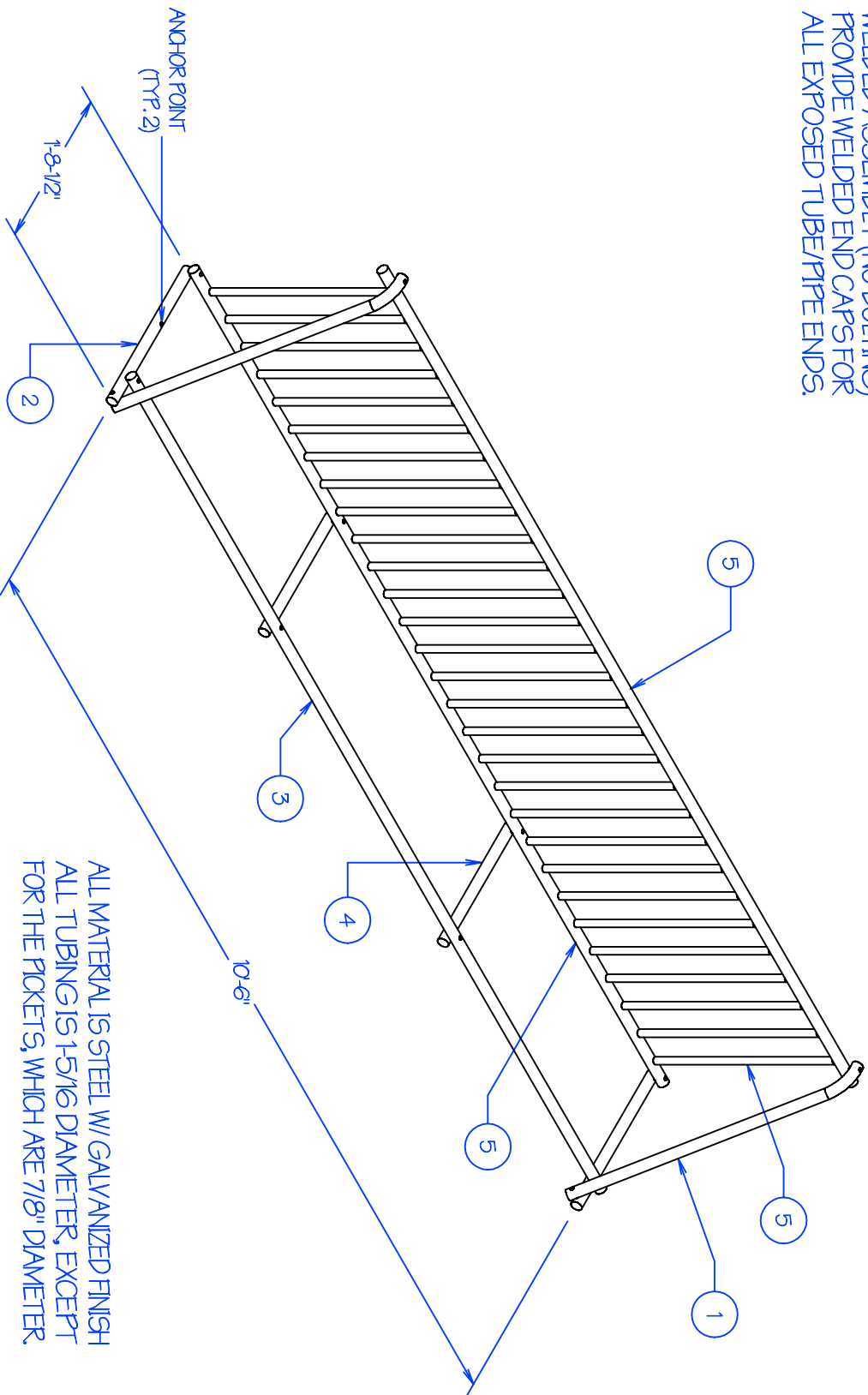


IMPORTANT NOTES:

WELDED ASSEMBLY (NO BOLTING)
 PROVIDE WELDED END CAPS FOR
 ALL EXPOSED TUBE/PIPE ENDS.

ANCHORS TO BE SUPPLIED BY INSTALLER



PART #	QUANTITY
1	2
2	2
3	2
4	2
5*	1*

* PART # 515, A WELDED ASSEMBLY
 AND CONSISTS OF 31 TOTAL PIECES.

REVISION / STAGE	MONTH / DAY / YEAR	RELATED DRAWINGS / INFORMATION
BR-SE-W		

BIKE RACK - SINGLE ENTRY - WELDED CONSTRUCTION

ARIZONA COURTLINES, INC.

8742 NORTH 72ND AVENUE
 PEORIA, ARIZONA 85345
 PHONE (623) 939-8726
 FAX (623) 939-2826
 WWW.ARIZONACOURTLINES.COM

DRAWN BY:
 EDDIE CARRERATA

CHECKED BY:

QUANTITY: