

REVISION / STAGE:	MONTH / DAY / YEAR	RELATED DRAWINGS / INFORMATION:
DC-RU		THIS DRAWING IS PROPERTY OF ARIZONA COURTLINES, INC. AND MAY NOT BE REPRODUCED WITHOUT WRITTEN PERMISSION

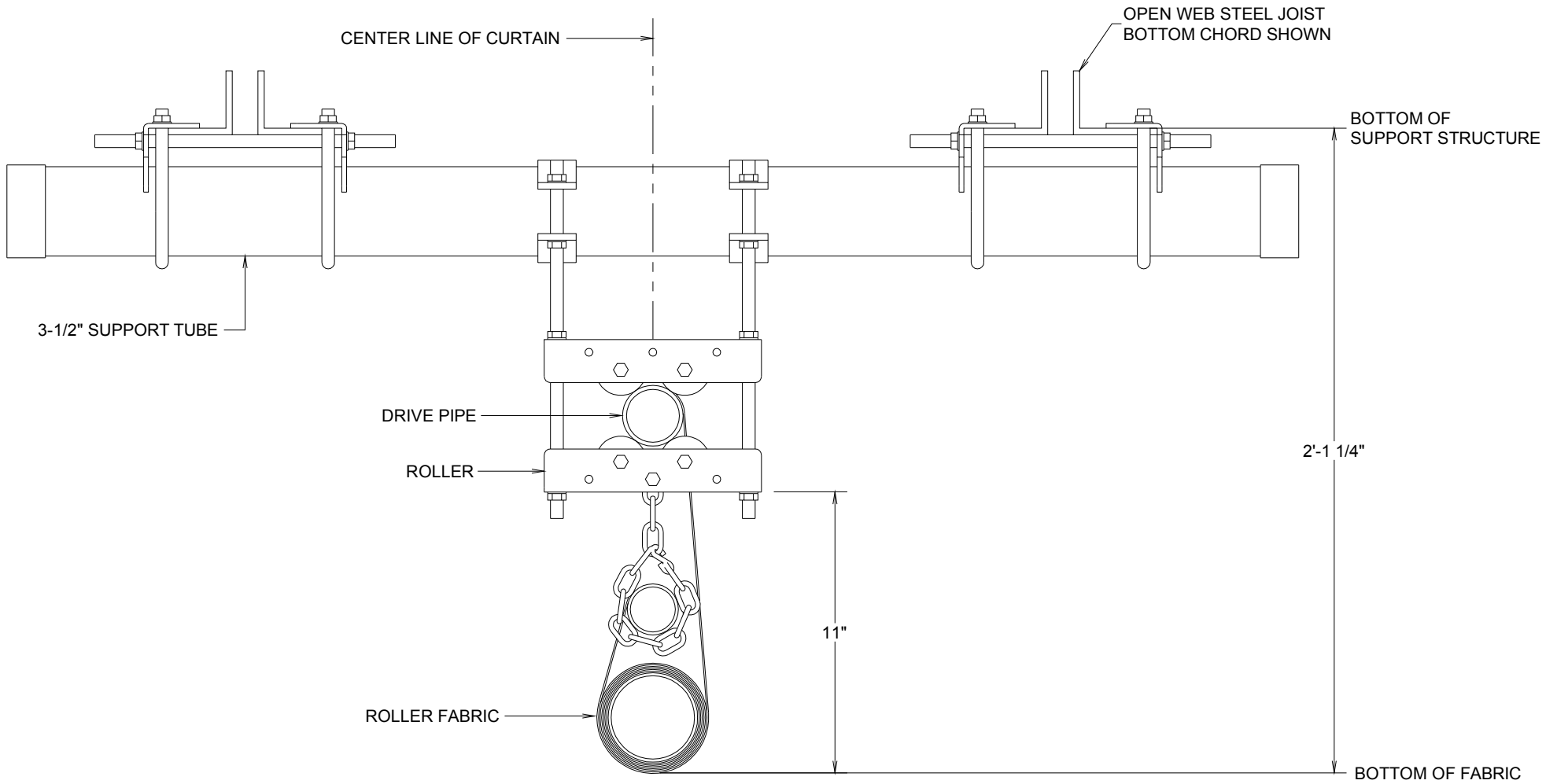
DC-RU

DIVIDER CURTAIN
ROLL-UP



ACI
ARIZONA COURTLINES, INC.
8742 NORTH 78TH AVENUE, PEORIA, ARIZONA 85345
TEL. 623.939.8126 FAX. 623.939.2526
www.ARIZONACOURTLINES.com

DRAWN BY: EDDIE CAFFERATA QUANTITY: _____



THESE DIMENSIONS ARE PROVIDED AS A GUIDELINE ONLY. FINAL INSTALLED DIMENSIONS MAY VARY.

REVISION / STAGE:	MONTH / DAY / YEAR	RELATED DRAWINGS / INFORMATION:
DC-RU-CLR		THIS DRAWING IS PROPERTY OF ARIZONA COURTLINES, INC. AND MAY NOT BE REPRODUCED WITHOUT WRITTEN PERMISSION

DC-RU

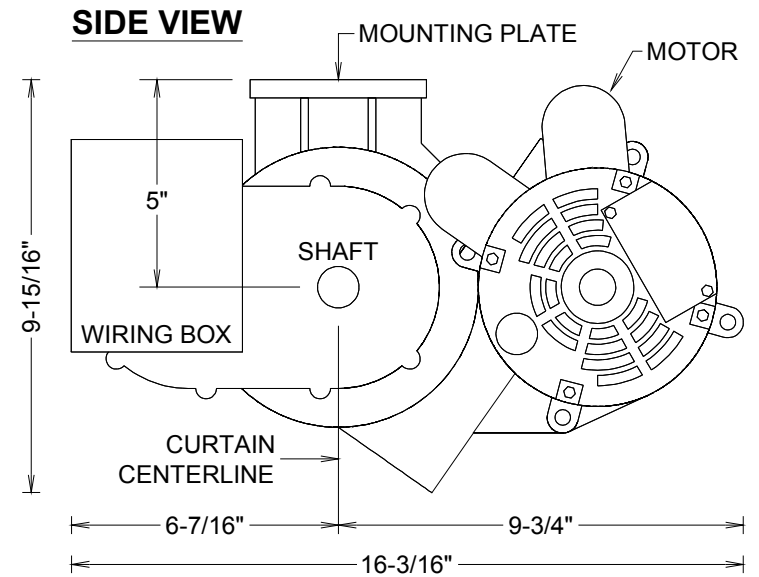
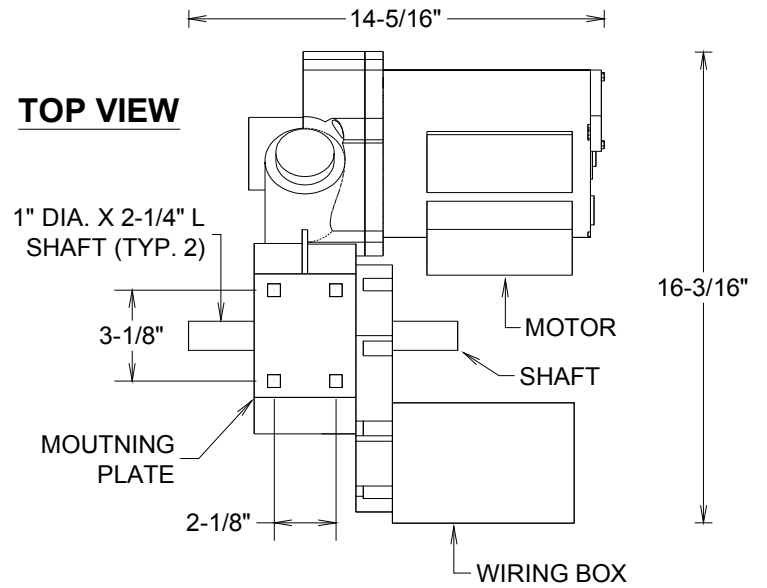
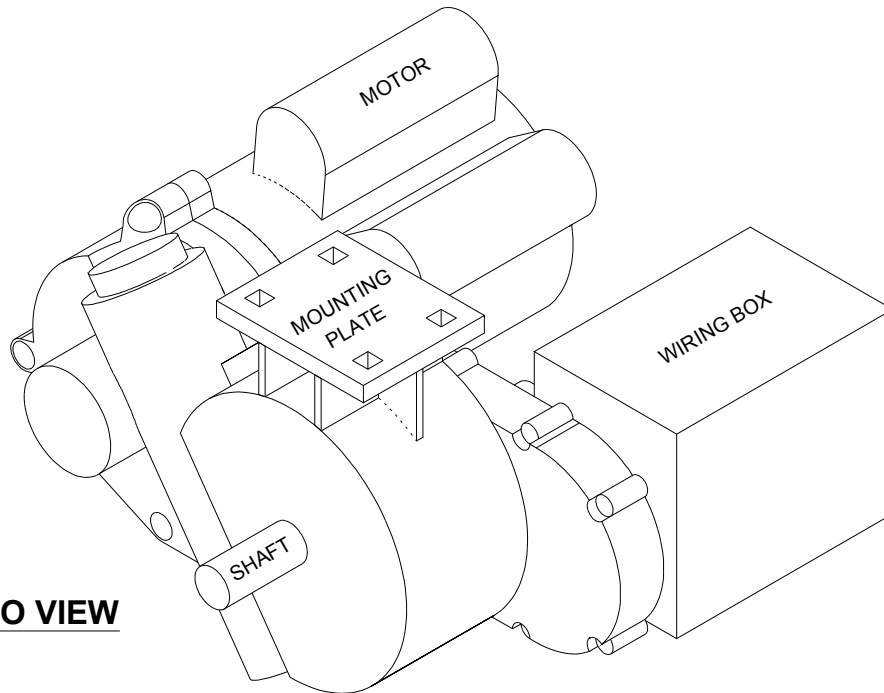
**ROLL-UP GYM DIVIDER CURTAIN
ROLLED CLEARANCE**

ACI

ARIZONA COURTLINES, INC.
8742 NORTH 78TH AVENUE, PEORIA, ARIZONA 85345
TEL. 623.939.8126 FAX. 623.939.2526
www.ARIZONACOURTLINES.com

DRAWN BY: EDDIE CAFFERATA

QUANTITY: _____



CURTAIN WINCH SPECIFICATIONS

Lightweight unit weighs only 47 pounds

Instantly reversing 3/4 HP motor (115V, 8.5 FLA, PH-1) is governed to stall at 14 amps to prevent overload

Motor develops over 2,300 inch pounds of torque at 8 rpm, or 9.5 feet per minute at 1,000 pounds

High-strength steel alloy output shafts provide a standard 1-inch keyed interface, allowing flexibility with multiple types of existing couplers and installations

Drive shaft can be run off one or both sides

Hardened steel worm gear is captured to take on radial and thrust loads. Our winch is specified to continuously run at the maximum rated load of 1250 lbs for the motors rated duty cycle of 20 minutes without sustaining any gear damage

Sealed gear case uses precision ball bearings and premium seals for superior performance and a lifetime of maintenance-free operation

Electric limit switches for constant stopping in & up down positions. Electrician to hardware at wiring box

REVISION / STAGE:	MONTH / DAY / YEAR	RELATED DRAWINGS / INFORMATION:
DC-WINCH		THIS DRAWING IS PROPERTY OF ARIZONA COURTLINES, INC. AND MAY NOT BE REPRODUCED WITHOUT WRITTEN PERMISSION

DIVIDER CURTAIN WINCH

FOR ALL TYPES OF ELECTRIC DIVIDER CURTAINS

ARIZONA COURTLINES, INC.

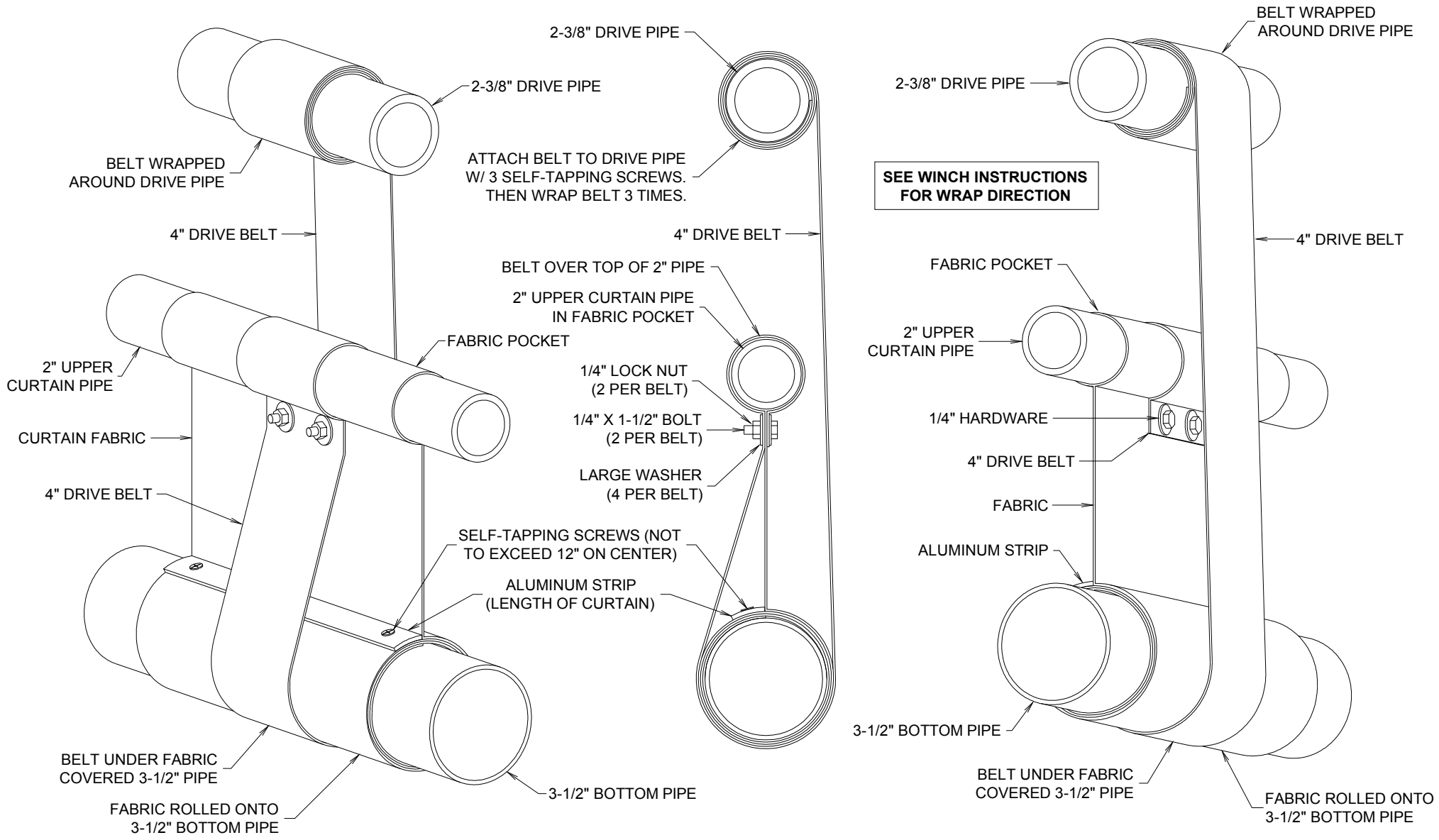


8742 NORTH 78TH AVENUE
 PEORIA, ARIZONA 85345
 TEL. 623.939.8126
 FAX. 623.939.2526
 www.ARIZONACOURTLINES.com

DRAWN BY:
EDDIE CAFFERATA

CHECKED BY:

QUANTITY:



REVISION / STAGE:	MONTH / DAY / YEAR	RELATED DRAWINGS / INFORMATION:
DCRU-2.2		THIS DRAWING IS PROPERTY OF ARIZONA COURTLINES, INC. AND MAY NOT BE REPRODUCED WITHOUT WRITTEN PERMISSION

DC-RU
ROLL-UP DIVIDER CURTAIN

BELT ROUTING DETAIL



ACI
ARIZONA COURTLINES, INC.
8742 NORTH 78TH AVENUE, PEORIA, ARIZONA 85345
TEL. 623.939.8126 FAX. 623.939.2526
www.ARIZONACOURTLINES.com

DRAWN BY: EDDIE CAFFERATA QUANTITY: _____

ARIZONA COURTLINES, INC. SPECIFICATIONS

DC-RU (ACI MODEL #) DIVIDER CURTAIN - ROLL-UP

DRIVE SYSTEM

Drive pipe shall be 2 3/8" tubing which extends the entire length of the curtain. Drive pipe supports shall not exceed 10'-0" on center. Belts are 4" wide polyurethane (1700lbs. Per inch tensile strength). Belt shall attach to the upper curtain support (2 3/8" diameter tubing) loop around lower curtain support (Rolling Batten 3 1/2" diameter tubing) and up to a 5" drum located on drive shaft. Belt drums shall be located on drive shaft approximately every 20'-0". Bottom of curtain is rolled around the 3 1/2" tubing and held in place with an aluminum stop strip, which run the entire length of the curtain.

ELECTRIC MOTOR

Electric operator shall hold the divider curtain at any position when raising or lowering including in the event of a power failure. Worm gear set shall be in a sealed oil case. High quality rollers, bearings and bushings are used for exceptional wearability and long life characteristics. Motor shall have automatic overload protection, with 3-wire control system for dependable energy saving power. Winch shall be operated by a keyed up and down momentary contact control switch. All conduit, wiring, junction boxes and components not listed here shall be furnished and installed by the electrical contractor.

Motor Specifications:

H.P. 1.0 - RPM 1725 - Hz. 60 - V 115 - Duty: Cont. - F.L.A. 12.8 - S.F.A. 13.6.

UPPER CURTAIN (NETTING)

The upper section of the curtain is made from mesh woven vinyl and polyester netting, with a 4" wide solid vinyl strip. These 4" wide solid vinyl strips make this curtain extremely durable. Woven mesh material shall have a certificate of flame resistance from the State of California.

LOWER CURTAIN (SOLID)

The lower solid vinyl section of the divider curtain shall extend 8 feet above ground. Vinyl cover shall be 22oz per square yd. vinyl coated polyester with 1000-denier polyester base fabric. Solid vinyl material shall have a certificate of flame resistance from the State of California (Registered fabric No. 140.01). See ACI Color Chart for available colors.