



Arizona Courtlines, Inc.
8742 North 78TH Avenue
Peoria, Arizona 85345

www.ArizonaCourtlines.com

Tel. 623-939-8126 Fax. 623-939-2526

Wireless Remote Control System (EW-WR)



Shown with optional twist lock pigtail cord

Can control electric motors up to 1HP on basketball backstops, basketball height adjusters, gym divider curtains, & overhead volleyball.

- 110-120V AC receiver with 25 address channels.
- One receiver required per electric motor.
- Receiver includes mount clamps for 3.5" O.D. round pipe/tube.
- Handheld transmitter can operate up to 99 individual electric motors.
- Handheld transmitter operating range is approximately 75 feet.
- Handheld transmitter operates on standard 9-volt battery.
- Can be used with or without low voltage key switch (not included).
- Twist lock (NEMA L14-20) pigtail cords and plugs are optional.
- Pigtail cord with twist lock plug required for basketball winches.
- Twist lock plug (without cord) required for height adjusters, curtain winches, & volleyball winches.
- Conduit, electrical components, & cord/wiring provided by others.



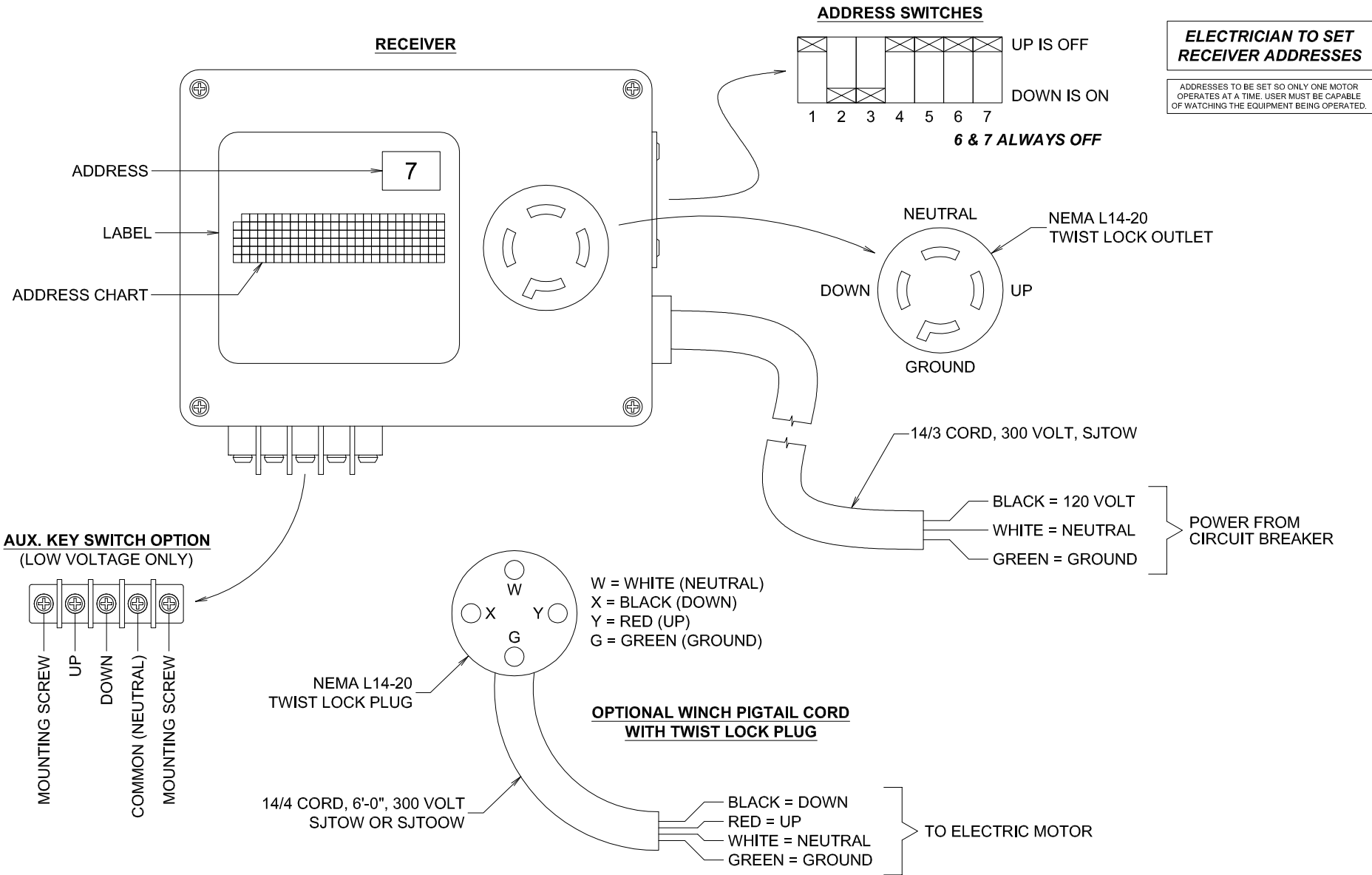
_____ Quantity of receivers

_____ Quantity of transmitters

_____ Quantity of pigtail cords with twist lock plug

_____ Quantity of twist lock plugs (without cord)





REVISION / STAGE:	MONTH / DAY / YEAR	RELATED DRAWINGS / INFORMATION:
EW-WR-WD		THIS DRAWING IS PROPERTY OF ARIZONA COURTLINES, INC. AND MAY NOT BE REPRODUCED WITHOUT WRITTEN PERMISSION

EW-WR

**WIRELESS REMOTE CONTROL SYSTEM
WIRING DIAGRAM**

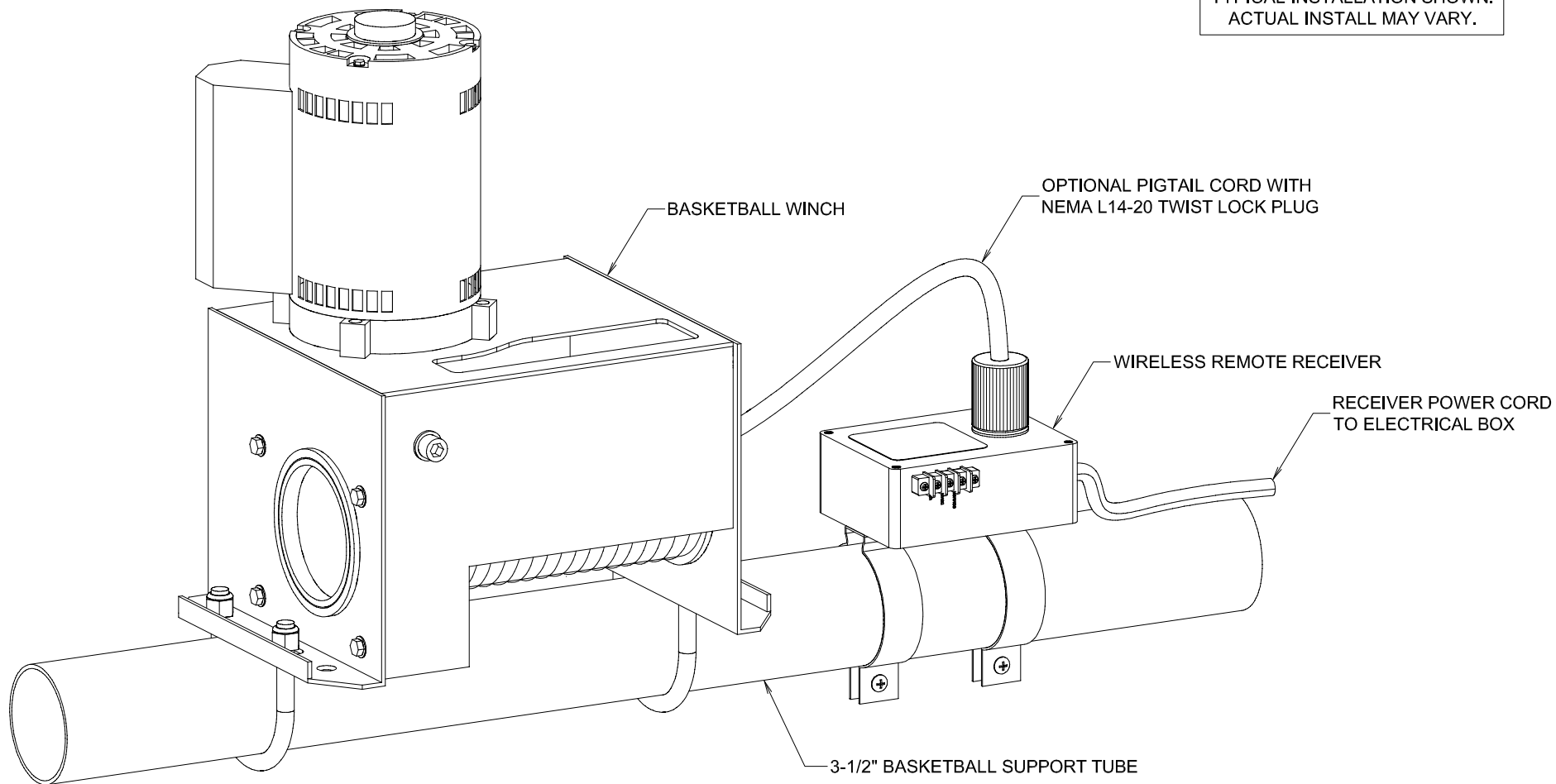


ARIZONA COURTLINES, INC.
8742 NORTH 78TH AVENUE, PEORIA, ARIZONA 85345
TEL. 623.939.8126 FAX. 623.939.2526
www.ARIZONACOURTLINES.com

DRAWN BY:
EDDIE CAFFERATA

QUANTITY: _____

TYPICAL INSTALLATION SHOWN.
ACTUAL INSTALL MAY VARY.



REVISION / STAGE:	MONTH / DAY / YEAR	RELATED DRAWINGS / INFORMATION:
EW-WR-BW		THIS DRAWING IS PROPERTY OF ARIZONA COURTLINES, INC. AND MAY NOT BE REPRODUCED WITHOUT WRITTEN PERMISSION

EW-WR

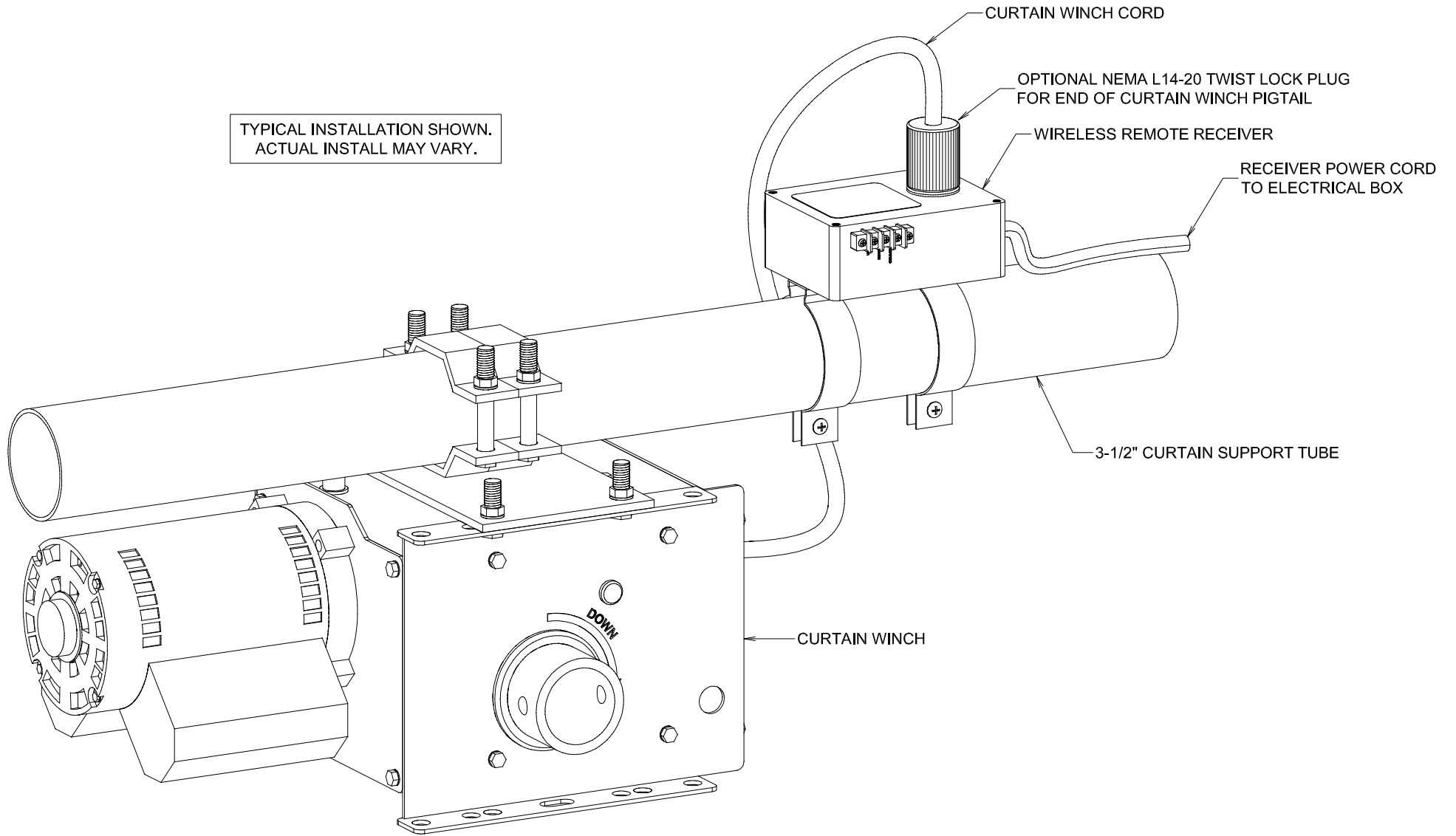
**WIRELESS REMOTE CONTROL SYSTEM
BASKETBALL WINCH MOUNTING**



ARIZONA COURTLINES, INC.
8742 NORTH 78TH AVENUE, PEORIA, ARIZONA 85345
TEL. 623.939.8126 FAX. 623.939.2526
www.ARIZONACOURTLINES.com

DRAWN BY:
EDDIE CAFFERATA

QUANTITY: _____



TYPICAL INSTALLATION SHOWN.
ACTUAL INSTALL MAY VARY.

REVISION / STAGE:	MONTH / DAY / YEAR	RELATED DRAWINGS / INFORMATION:
EW-WR-CW		THIS DRAWING IS PROPERTY OF ARIZONA COURTLINES, INC. AND MAY NOT BE REPRODUCED WITHOUT WRITTEN PERMISSION

EW-WR

**WIRELESS REMOTE CONTROL SYSTEM
CURTAIN WINCH MOUNTING**

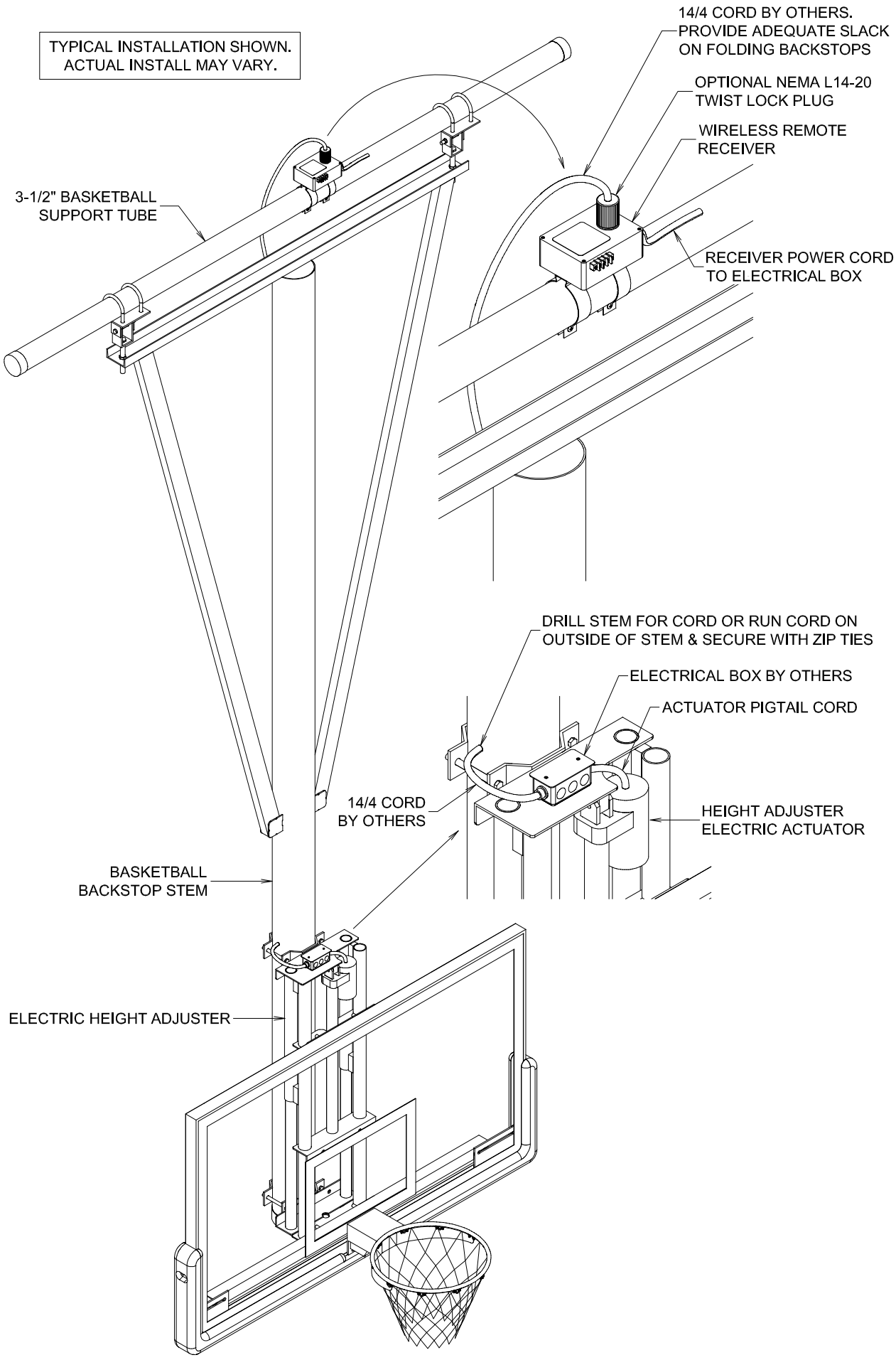


ARIZONA COURTLINES, INC.
8742 NORTH 78TH AVENUE, PEORIA, ARIZONA 85345
TEL. 623.939.8126 FAX. 623.939.2526
www.ARIZONACOURTLINES.com

DRAWN BY:
EDDIE CAFFERATA

QUANTITY: _____

TYPICAL INSTALLATION SHOWN.
ACTUAL INSTALL MAY VARY.



ARIZONA COURTLINES, INC.
8742 NORTH 78TH AVENUE, PEORIA, ARIZONA 85345
TEL. 623.939.8126 FAX. 623.939.2526
WWW.ARIZONACOURTLINES.COM

DRAWN BY:
EDDIE CAFFERATA

QUANTITY: _____

EW-WR

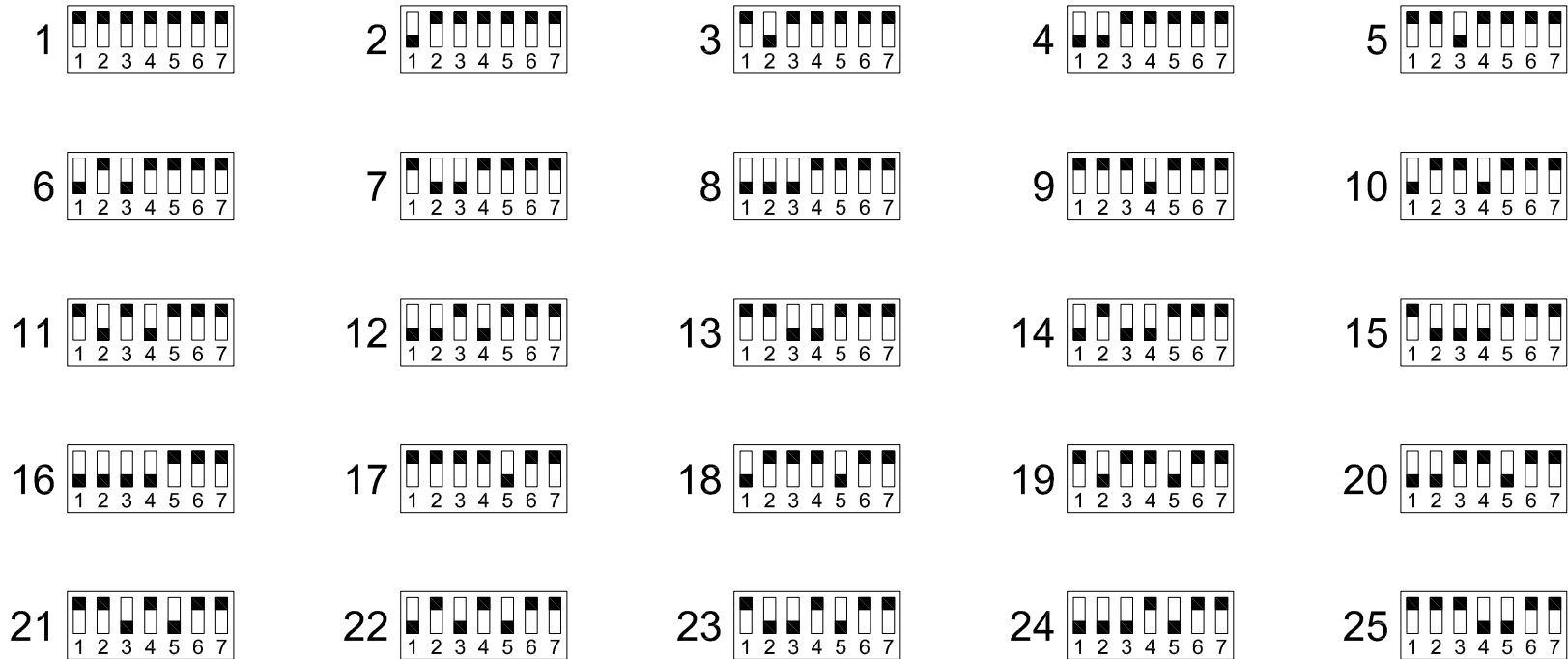
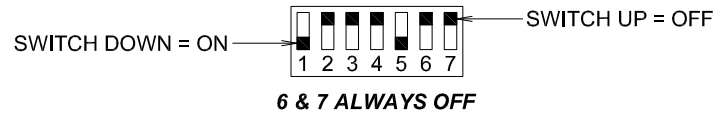
WIRELESS REMOTE CONTROL SYSTEM
HEIGHT ADJUSTER MOUNTING

RELATED DRAWINGS / INFORMATION:				

THIS DRAWING IS PROPERTY OF ARIZONA COURTLINES, INC.
AND MAY NOT BE REPRODUCED WITHOUT WRITTEN PERMISSION

REVISION / STAGE:	MONTH / DAY / YEAR			

EW-WR-HA



ADDRESSES TO BE SET SO ONLY ONE MOTOR OPERATES AT A TIME. USER MUST BE CAPABLE OF WATCHING THE EQUIPMENT BEING OPERATED.

REVISION / STAGE:	MONTH / DAY / YEAR	RELATED DRAWINGS / INFORMATION:
EW-WR-SAS		THIS DRAWING IS PROPERTY OF ARIZONA COURTLINES, INC. AND MAY NOT BE REPRODUCED WITHOUT WRITTEN PERMISSION

EW-WR

**WIRELESS REMOTE CONTROL SYSTEM
SWITCH ADDRESS SETTINGS**

ACI
ARIZONA COURTLINES, INC.
8742 NORTH 78TH AVENUE, PEORIA, ARIZONA 85345
TEL. 623.939.8126 FAX. 623.939.2526
www.ARIZONACOURTLINES.com

DRAWN BY: EDDIE CAFFERATA QUANTITY: _____