

MOLDED FIBERGLASS WITH A TENSILE STRENGTH OF 8,900 TO 11,700 PSI

23% TO 27% FIBERGLASS CONTENT BY WEIGHT

ALL SURFACES HIGH GLOSS WHITE

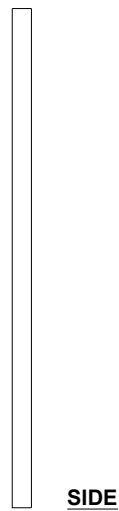
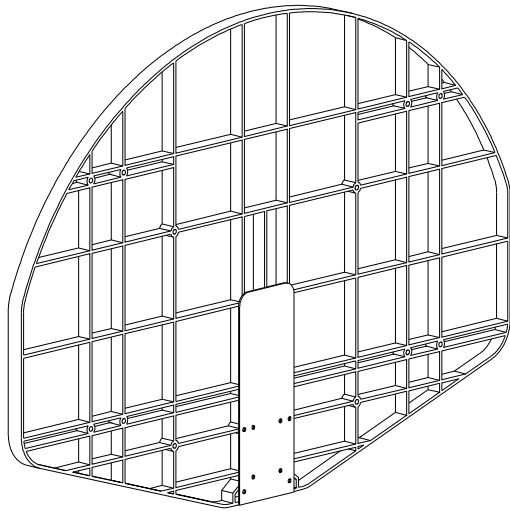
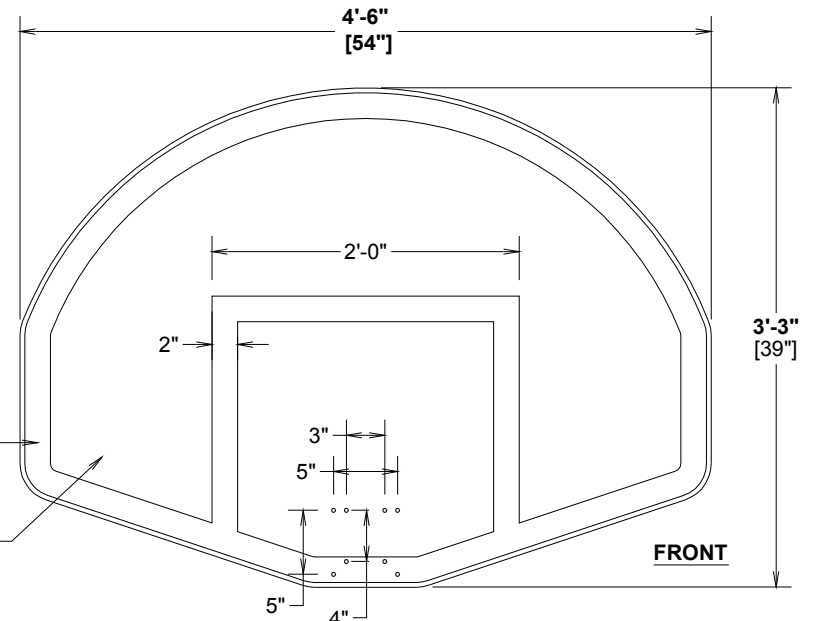
ORANGE TARGET AND BORDER MARKINGS

RIM MOUNTING PATTERN: 5" X 5" OR 3" X 4"

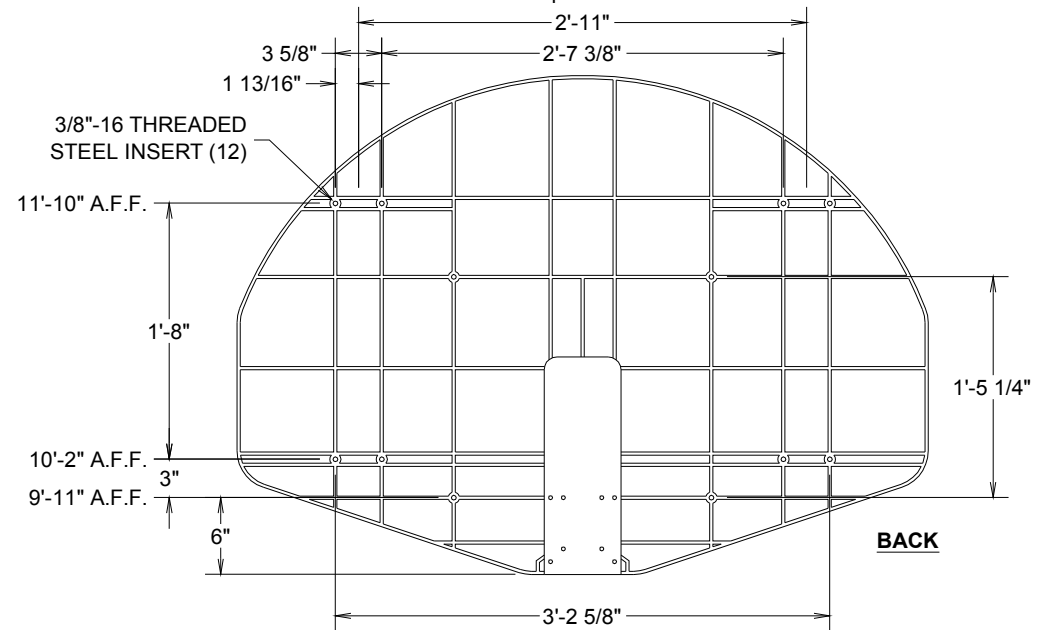
3/8"-16 THREADED STEEL MOUNTING INSERTS

FOR USE INDOOR OR OUTDOOR

WEIGHT: 35 LBS.



1 1/2" THICK



**SIDE**

**BACK**

REVISION / STAGE:	MONTH / DAY / YEAR	RELATED DRAWINGS / INFORMATION:
FBB-FGW		THIS DRAWING IS PROPERTY OF ARIZONA COURTLINES, INC. AND MAY NOT BE REPRODUCED WITHOUT WRITTEN PERMISSION

**FBB-FGW**

**MOLDED FIBERGLASS FAN BACKBOARD WITH REINFORCED WAFFLE BACK**



**ARIZONA COURTLINES, INC.**  
 8742 NORTH 78TH AVENUE, PEORIA, ARIZONA 85345  
 TEL. 623.939.8126 FAX. 623.939.2526  
 www.ARIZONACOURTLINES.com

DRAWN BY: EDDIE CAFFERATA      QUANTITY: \_\_\_\_\_