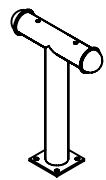
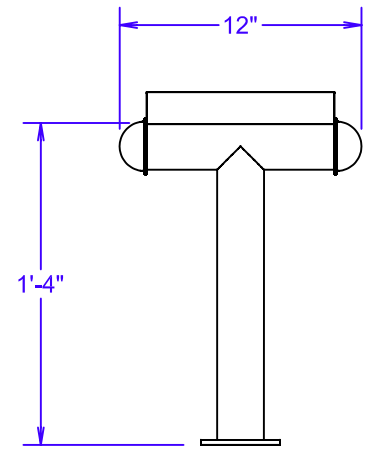
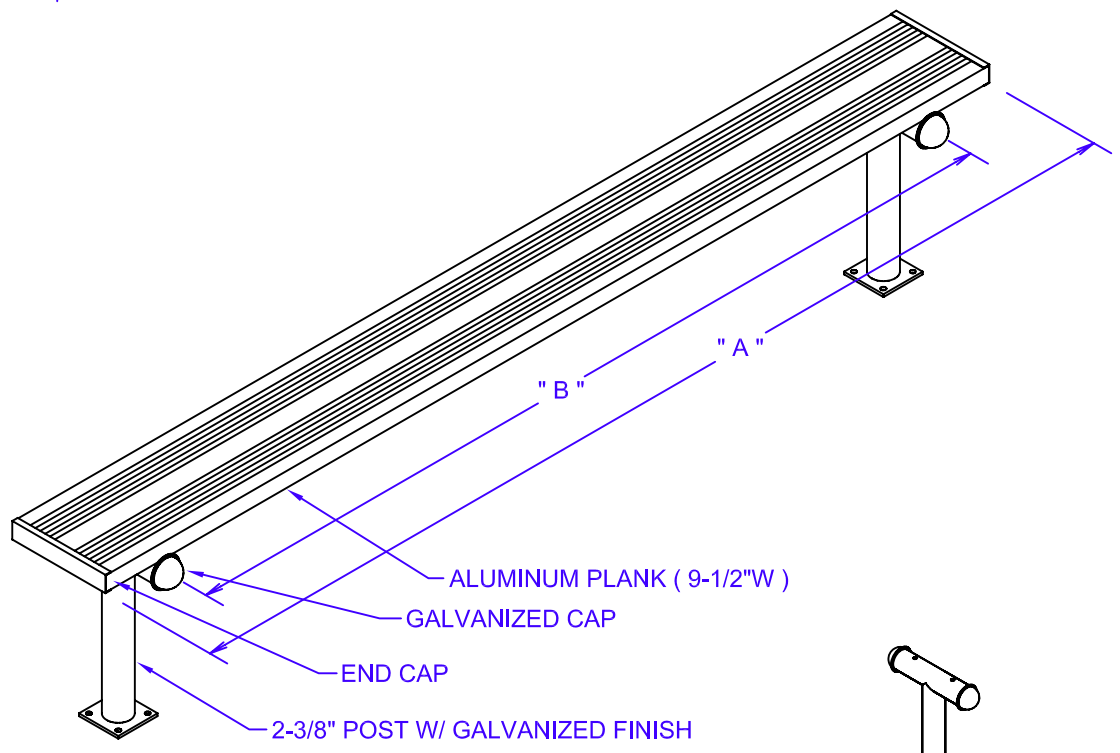
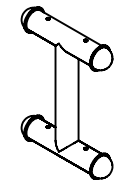


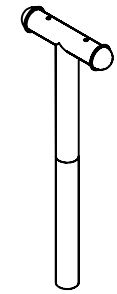
MODEL #	OB - ____ (OB-7.5=7'-6" / OB-15=15'-0")
"A"	PLANK LENGTH (SPECIFY)
"B"	LENGTH OF PLANK MINUS 12", MAX POST SPACE = 7'-0"
POST TYPE	<input type="checkbox"/> SURFACE MOUNT <input type="checkbox"/> PORTABLE <input type="checkbox"/> IN-GROUND



SURFACE MOUNT (STANDARD)



PORTABLE (OPTION)



IN-GROUND (OPTION)

REVISION / STAGE:	MONTH / DAY / YEAR	RELATED DRAWINGS / INFORMATION:
OB - ____	THIS DRAWING IS PROPERTY OF ARIZONA COURTLINES, INC. AND MAY NOT BE REPRODUCED WITHOUT WRITTEN PERMISSION	

OUTDOOR BENCH

OB - ____
SPECIFY PLANK LENGTH

ARIZONA COURTLINES, INC.

8742 NORTH 78 TH AVENUE
PEORIA, ARIZONA 85345
PHONE (623) 939 - 8126
FAX (623) 939 - 2526
WWW.ARIZONACOURTLINES.COM

DRAWN BY: EDDIE CAFFERATA
CHECKED BY:
QUANTITY: _____