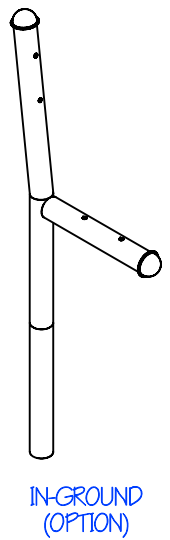
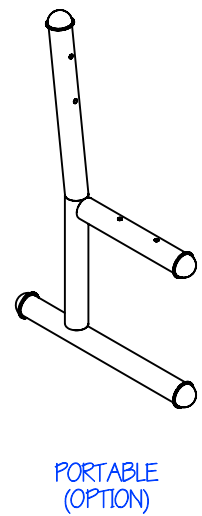
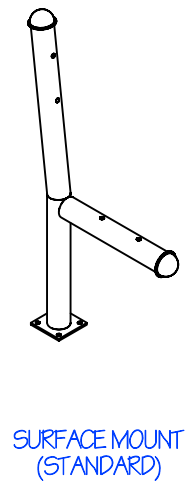
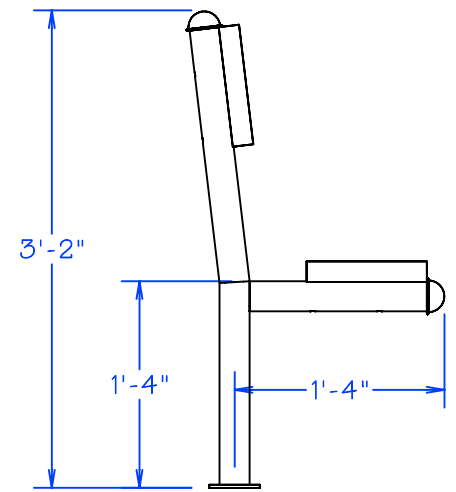
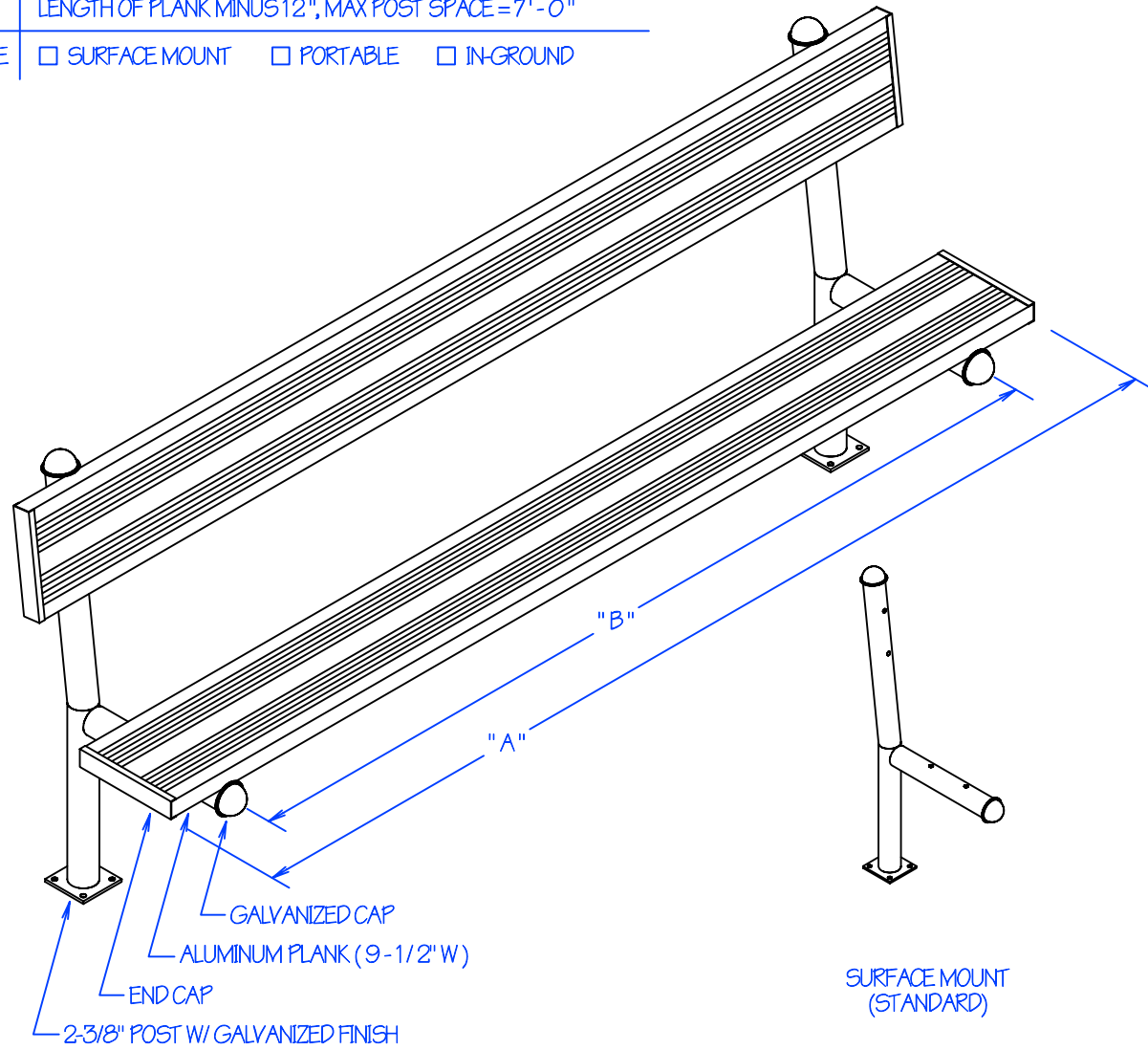


MODEL #	OBWB-___ (OBWB-7.5=7'-6" / OBWB-15=15'-0")
"A"	PLANK LENGTH (SPECIFY)
"B"	LENGTH OF PLANK MINUS 12", MAX POST SPACE=7'-0"
POST TYPE	<input type="checkbox"/> SURFACE MOUNT <input type="checkbox"/> PORTABLE <input type="checkbox"/> IN-GROUND



REVISION / STAGE	MONTH / DAY / YEAR	RELATED DRAWINGS / INFORMATION
OBWB-___		THIS DRAWING IS PROPERTY OF ARIZONA COURTLINES, INC. AND MAY NOT BE REPRODUCED WITHOUT WRITTEN PERMISSION

OUTDOOR BENCH WITH BACK

OBWB-\_\_\_  
SPECIFY PLANK LENGTH

ARIZONA COURTLINES, INC.



8742 NORTH 78 TH AVENUE  
PEORIA, ARIZONA 85345  
PHONE (623) 939 - 8126  
FAX (623) 939 - 2526  
WWW.ARIZONACOURTLINES.COM

DRAWN BY: EDDIE CAFFERATA
CHECKED BY:
QUANTITY: _____