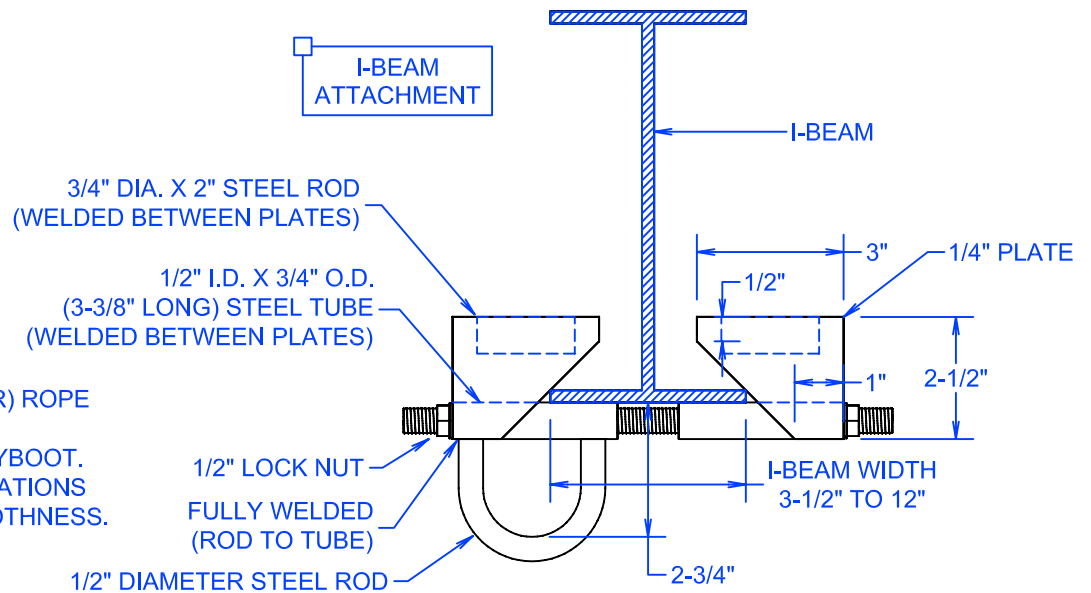


SEE DRAWING "RC-01M" FOR ADDITIONAL MOUNTING OPTIONS



REVISION / STAGE:	MONTH / DAY / YEAR	RELATED DRAWINGS / INFORMATION:	RC-01		ARIZONA COURTLINES, INC.	DRAWN BY:
_____	_____	_____				INDOOR CLIMBING ROPE (SINGLE ROPE)
_____	_____	_____	CHECKED BY:			
_____	_____	_____				QUANTITY:
_____	_____	_____				_____
RC-01		THIS DRAWING IS PROPERTY OF ARIZONA COURTLINES, INC. AND MAY NOT BE REPRODUCED WITHOUT WRITTEN PERMISSION				