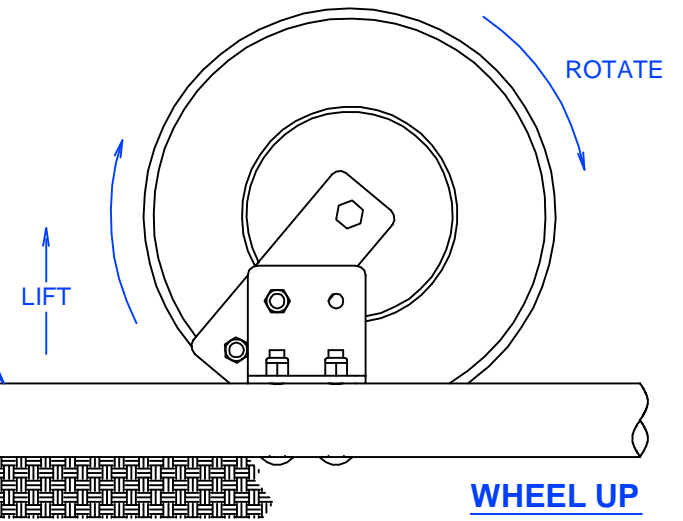
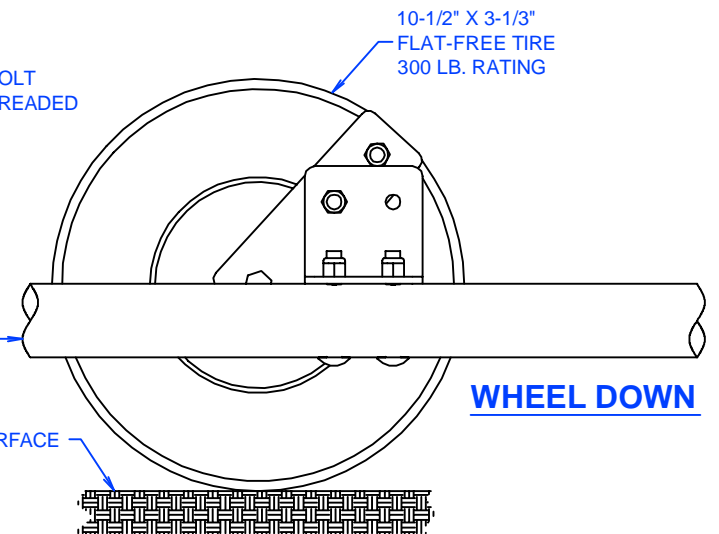
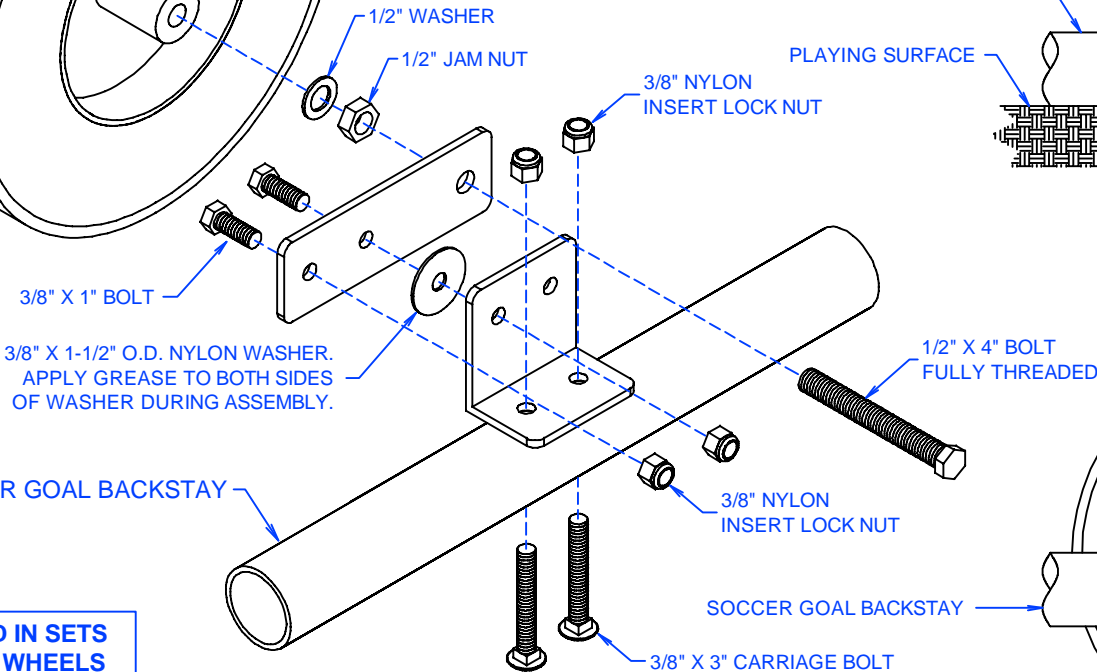


1/2" NYLON INSERT LOCK NUT
1/2" WASHER

WARNING: SOCCER GOALS MAY TIP. ALWAYS STABILIZE GOAL SO IT DOESN'T TIP. MOVING SOCCER GOAL TAKES AT LEAST TWO PEOPLE. ONE PERSON LIFTS UPRIGHT, WHILE THE OTHER PERSON ROTATES THE FRONT WHEELS. THEN ONE PERSON LIFTS THE BACKSTAY CROSSBAR, WHILE THE OTHER PERSON ROTATES THE BACK WHEELS. BOTH PEOPLE PUSH SOCCER GOAL TO STORAGE LOCATION. WHEELS SHOULD ALWAYS BE UP WHEN NOT BEING PUSHED. GOAL SHOULD BE ANCHORED ON AND OFF PLAYING FIELD. GOAL MAY TIP IF NOT ANCHORED.



WHEEL UP



WHEEL DOWN

**SOLD IN SETS
OF 4 WHEELS
1 SET PER GOAL**

REVISION / STAGE:	MONTH / DAY / YEAR	RELATED DRAWINGS / INFORMATION:
SCG-GBSW	THIS DRAWING IS PROPERTY OF ARIZONA COURTLINES, INC. AND MAY NOT BE REPRODUCED WITHOUT WRITTEN PERMISSION	


SOCCER GOAL WHEEL SET

**WHEEL SET FOR SOCCER GOALS WITH
GROUND BACKSTAYS (4 WHEELS PER SET)**

DRAWN BY:
EDDIE CAFFERAT

CHECKED BY:

QUANTITY:


ARIZONA COURTLINES, INC.
 8742 NORTH 78TH AVENUE
 PEORIA, ARIZONA 85345
 TEL. 623.939.8126
 FAX. 623.939.2526
 www.ARIZONACOURTLINES.com