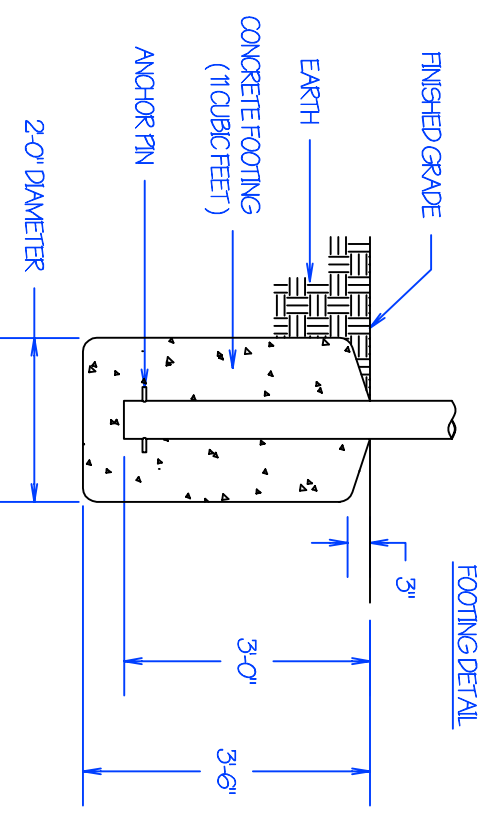


- SELECT ONE:
- 4'-0" (SP-__4X)
 - 5'-0" (SP-__5X)
 - 6'-0" (SP-__6X)

- SELECT ONE:
- 3-1/2" (SP-3__X)
 - 4-1/2" (SP-4__X)
 - 5-9/16" (SP-5__X)

- PERMANENT (SEE FOOTING DETAIL)
- SLEEVE TYPE (SEE DRAWING OUT-BBALL)



REVISION/STAGE	MONTH / DAY / YEAR	RELATED DRAWINGS / INFORMATION
SP-__-X		

THIS DRAWING IS PROPERTY OF ARIZONA COURTLINES, INC. AND MAY NOT BE REPRODUCED WITHOUT WRITTEN PERMISSION.

STRAIGHT POST OUTDOOR BACKSTOP
(EXTRA STRENGTH)

ARIZONA COURTLINES, INC.

 8742 NORTH 72ND AVENUE
 PEORIA, ARIZONA 85345
 PHONE (623) 939-8726
 FAX (623) 939-2526
 WWW.ARIZONACOURTLINES.COM

DRAWN BY: EDDIE CAPPERRATA	CHECKED BY:	QUANTITY:
-------------------------------	-------------	-----------