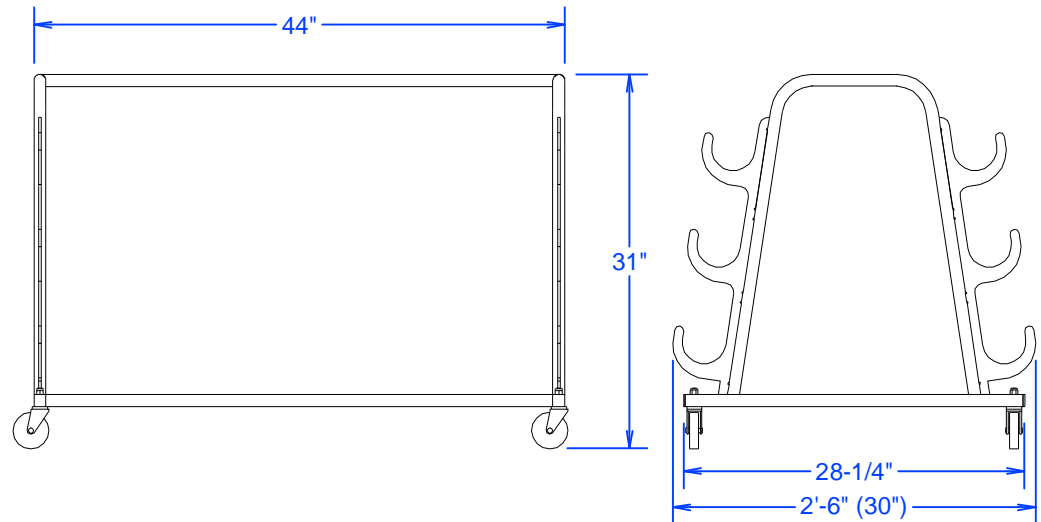
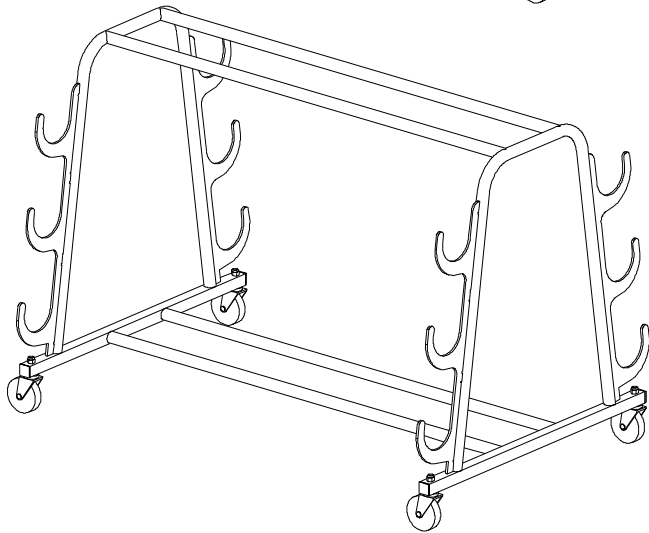


SPECIFICATIONS:

FRAME: FULLY WELDED, 1" SQ. & 1" O.D. STEEL TUBE
 CASTERS: STUD MOUNTED, SWIVEL TYPE, 3" DIA., NON-MARKING
 POST HOOKS: 3/16" LASER CUT PLATE, WELDED TO FRAME
 HARDWARE: 3/8" DIA., ZINC PLATED
 FINISH: POWDER COATED

SHOWN WITH:

- (6) VOLLEYBALL POSTS
- (6) VOLLEYBALL POST PADS
- (3) VOLLEYBALL NETS



REVISION / STAGE:	MONTH / DAY / YEAR	RELATED DRAWINGS / INFORMATION:
VB-TR3		THIS DRAWING IS PROPERTY OF ARIZONA COURTLINES, INC. AND MAY NOT BE REPRODUCED WITHOUT WRITTEN PERMISSION

VB-TR3

**VOLLEYBALL EQUIPMENT
TRANSPORT CART**

ARIZONA COURTLINES, INC.

8742 NORTH 78TH AVENUE
 PEORIA, ARIZONA 85345
 TEL. 623.939.8126
 FAX. 623.939.2526
 www.ARIZONACOURTLINES.com

DRAWN BY:
EDDIE CAFFERATA

CHECKED BY:

QUANTITY: