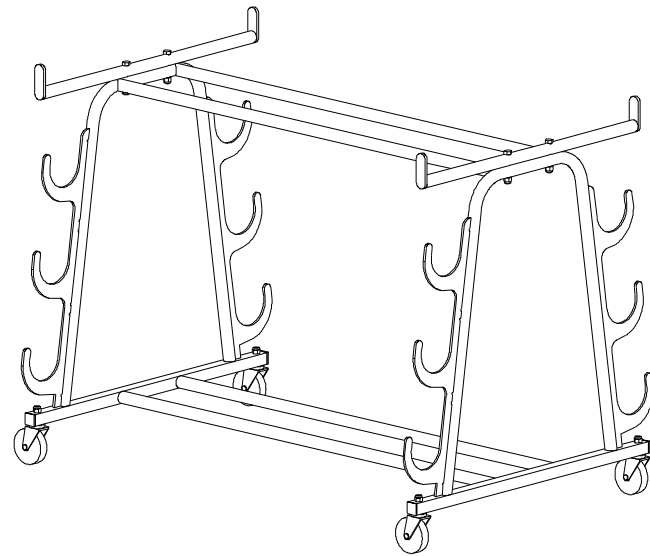
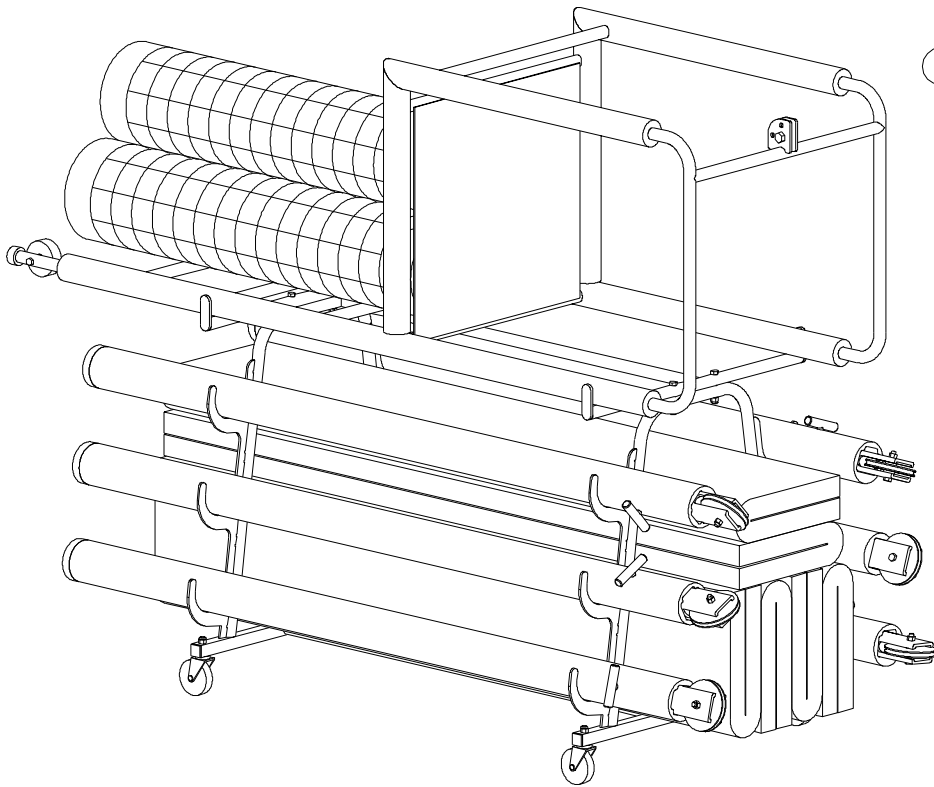
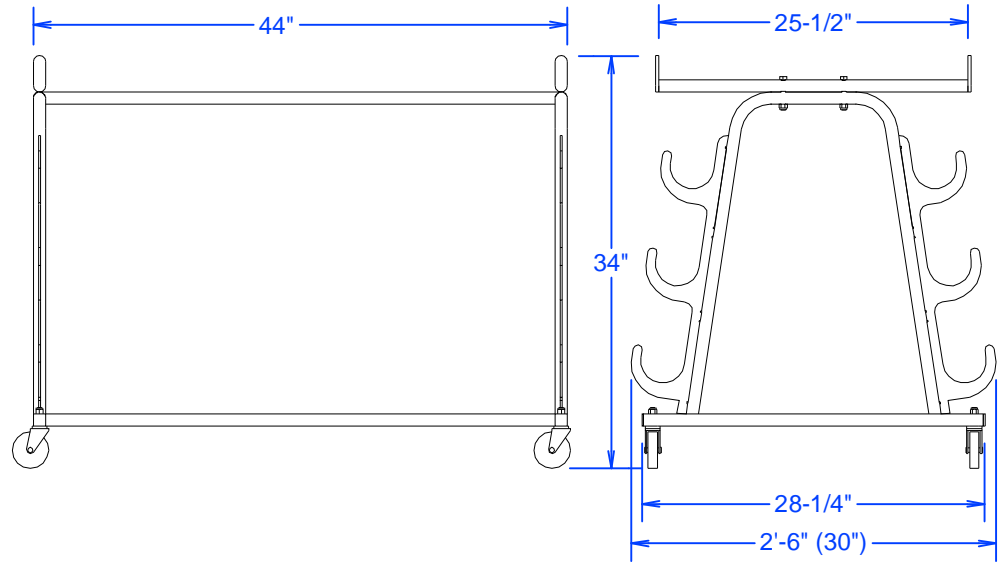



**SPECIFICATIONS:**

FRAME: FULLY WELDED, 1" SQ. & 1" O.D. STEEL TUBE  
 CASTERS: STUD MOUNTED, SWIVEL TYPE, 3" DIA., NON-MARKING  
 POST HOOKS: 3/16" LASER CUT PLATE, WELDED TO FRAME  
 HARDWARE: 3/8" DIA., ZINC PLATED  
 FINISH: POWDER COATED

**SHOWN WITH:**

- (6) VOLLEYBALL POSTS
- (6) VOLLEYBALL POST PADS
- (3) VOLLEYBALL NETS
- (1) VOLLEYBALL JUDGE'S STAND



REVISION / STAGE:	MONTH / DAY / YEAR	RELATED DRAWINGS / INFORMATION:	<b>VB-TR4</b>  <b>VOLLEYBALL EQUIPMENT                  TRANSPORT CART W/ JUDGES STAND RACK</b>	<b>ARIZONA COURTLINES, INC.</b>  8742 NORTH 78TH AVENUE PEORIA, ARIZONA 85345 TEL. 623.939.8126 FAX. 623.939.2526 www.ARIZONACOURTLINES.com	DRAWN BY: EDDIE CAFFERATA
					CHECKED BY:
				QUANTITY:	
<b>VB-TR4</b>		THIS DRAWING IS PROPERTY OF ARIZONA COURTLINES, INC. AND MAY NOT BE REPRODUCED WITHOUT WRITTEN PERMISSION			