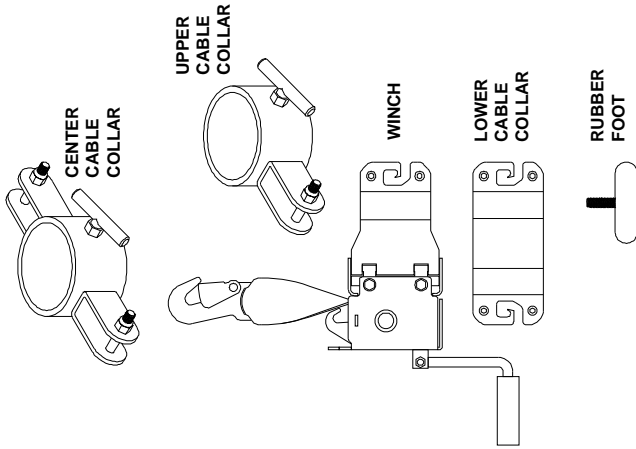


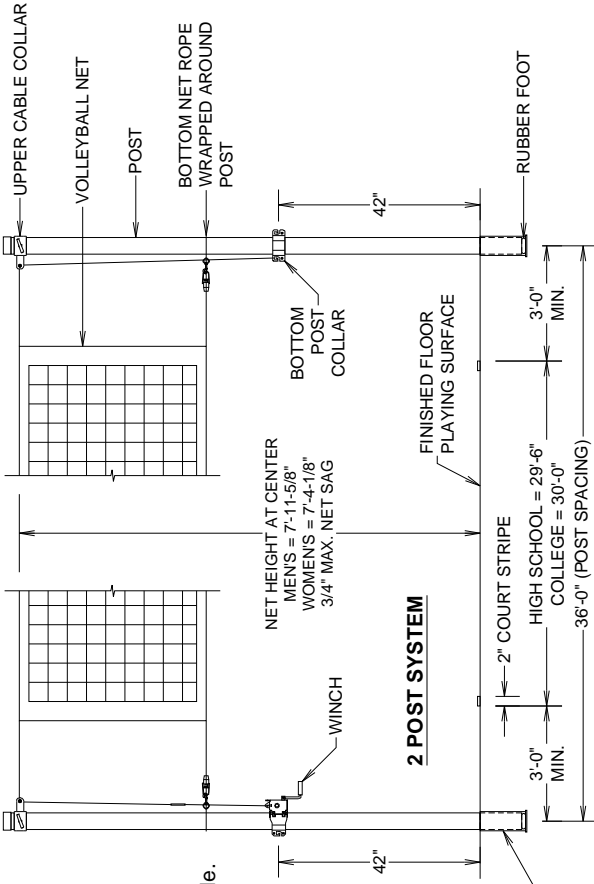
POST TYPE:	CUT LENGTH:
SLEEVE	9'-0"
PERMANENT	10'-4"

QUANTITIES	
2 POST SYSTEM	1
3 POST SYSTEM	1



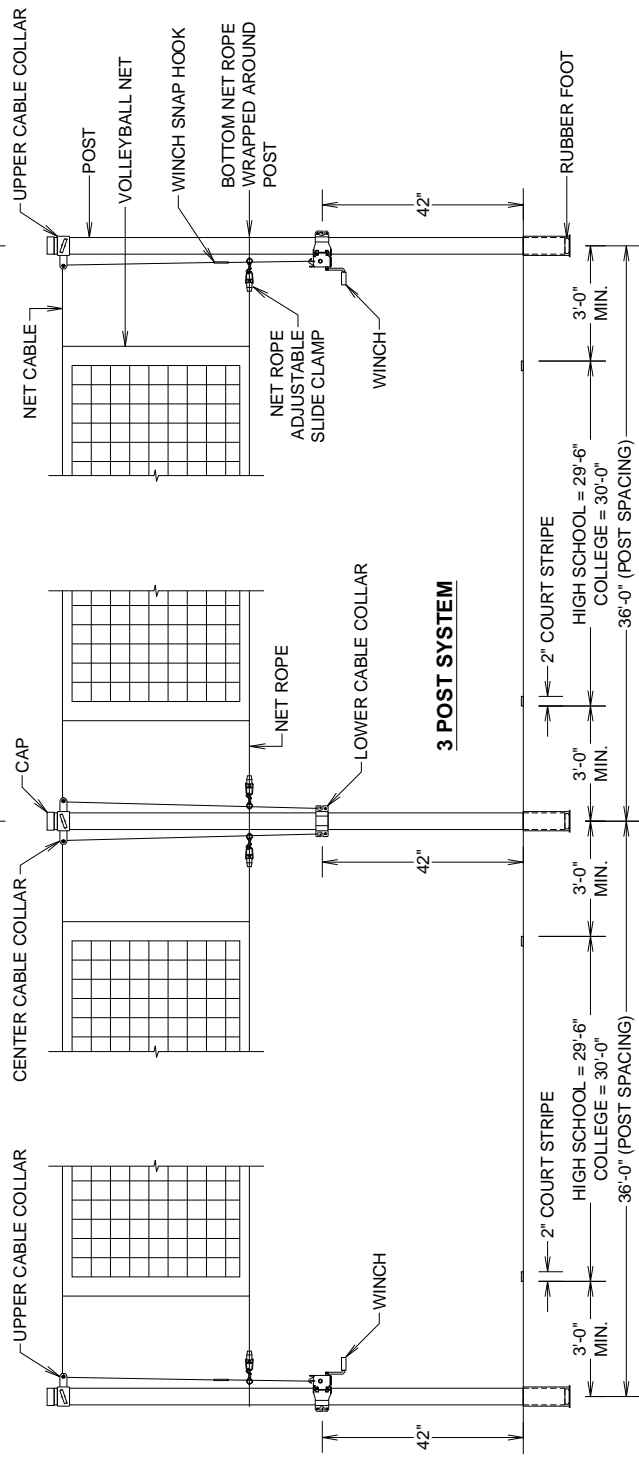
SEE DRAWING "VBP-S1 PARTS" FOR DETAILS

- A. Meets requirements of FIVB (Federation of International Volleyball).
- B. Meets requirements of USAV (USA Volleyball).
- C. Meets requirements of AVP (Association of Volleyball Professionals).
- D. Meets requirements of NFHS (National Federation of State H. S. Association).
- E. 3-1/2" outside diameter steel (A53) post.
- F. Net height range: 3'-3" to 8'-1-1/2".
- G. Steel (A500) case net tension winch with bronze and steel worm gear set.
- H. Winch includes: bushings, cable drum, nylon belt, snap hook, and crank handle.
- I. T-handle equipped upper cable collars for quick height adjustments.
- J. Black plastic pipe cap for top of painted & powder coated posts.
- K. Galvanized pipe cap for top of galvanized posts.
- L. Height adjustable rubber foot for sleeve type models.
- M. Welded anchor pin (1/2") eliminates pull out and twist on permanent models.
- N. One year parts warranty.



2 POST SYSTEM

SEE DRAWING "3-1/2" DETAILS" FOR SLEEVE & FOOTING DETAILS. SLEEVES SHOWN.



3 POST SYSTEM

RELATED DRAWINGS / INFORMATION:

REVISION / STAGE: MONTH / DAY / YEAR

VBP-S1

THIS DRAWING IS PROPERTY OF ARIZONA COURT LINES, INC. AND MAY NOT BE REPRODUCED WITHOUT WRITTEN PERMISSION

VBP-S1 STANDARD STEEL VOLLEYBALL POST SYSTEM

- POST TYPE:**
- SLEEVE
 - PERMANENT
- FINISH:**
- PAINTED
 - POWDER COAT
 - GALVANIZED
- POST SPACING:**
- 35'-6"
 - 36'-0"
 - OTHER: _____

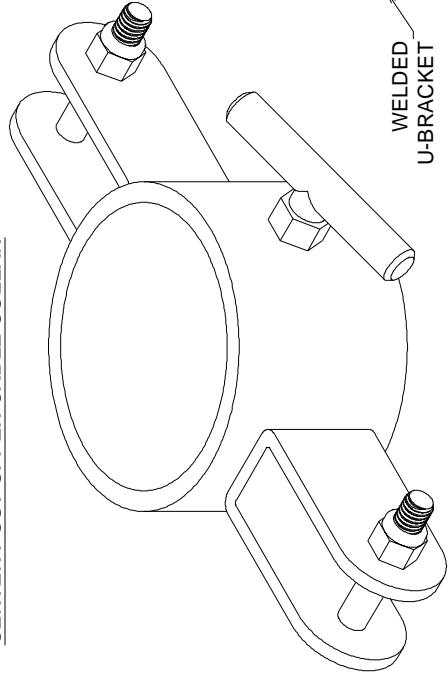


ARIZONA COURT LINES, INC.
 8742 NORTH 78TH AVENUE, PEORIA, ARIZONA 85345
 TEL. 623.939.8126 FAX. 623.939.2526
 WWW.ARIZONACOURTLINES.COM

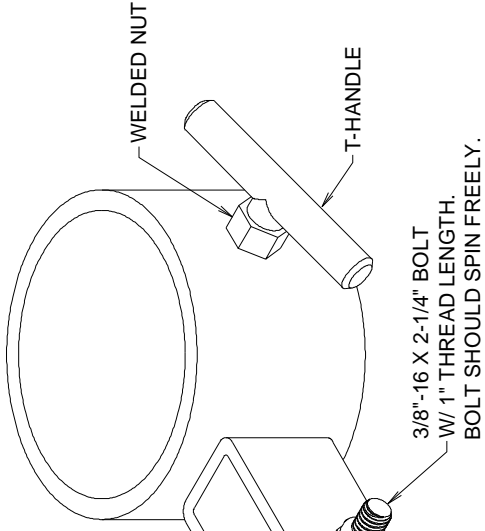
DRAWN BY:
EDDIE CAFFERATA

QUANTITY: _____

CENTER POST UPPER CABLE COLLAR



UPPER CABLE COLLAR



HEAVY-DUTY
SNAP HOOK

1-7/8" BELT
(44" LONG)

HANDLE SHOWN IN
STORAGE POSITION

SHAFT & BUSHING

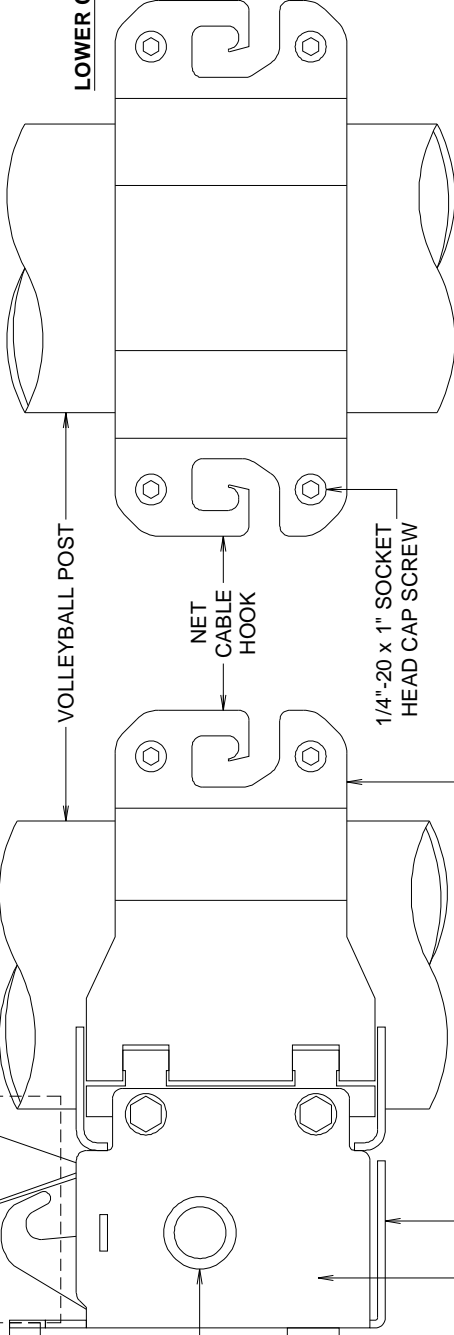
WINCH

ROLLER
HANDLE

WINCH BODY
INTERNAL WORM GEAR

VOLLEYBALL POST

LOWER CABLE COLLAR



NET
CABLE
HOOK

1/4\"/>

WINCH CLAMP

REVISION / STAGE	MONTH / DAY / YEAR	RELATED DRAWINGS / INFORMATION:

VBP-S1 PARTS

THIS DRAWING IS PROPERTY OF ARIZONA COURTLINES, INC.
AND MAY NOT BE REPRODUCED WITHOUT WRITTEN PERMISSION

VBP-S1 PARTS
COMPONENT DETAILS

ACI
ARIZONA COURTLINES, INC.
8742 NORTH 78TH AVENUE, PEORIA, ARIZONA 85345
TEL. 623.939.8126 FAX. 623.939.2526
WWW.ARIZONACOURTLINES.COM

DRAWN BY: EDDIE CAFFERATA
QUANTITY: _____