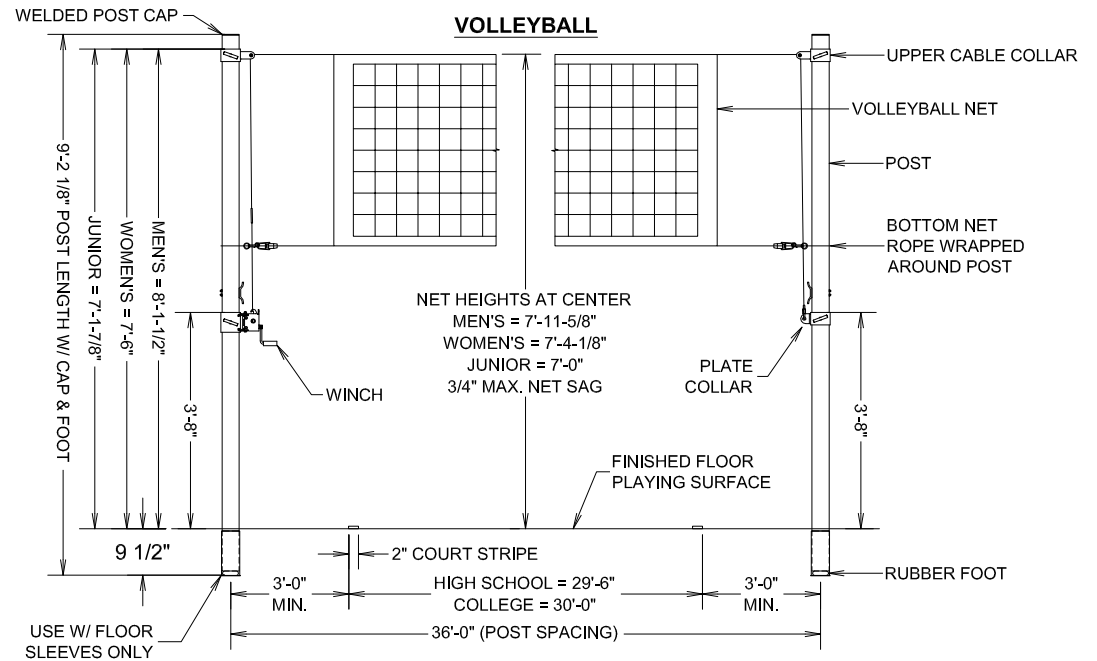
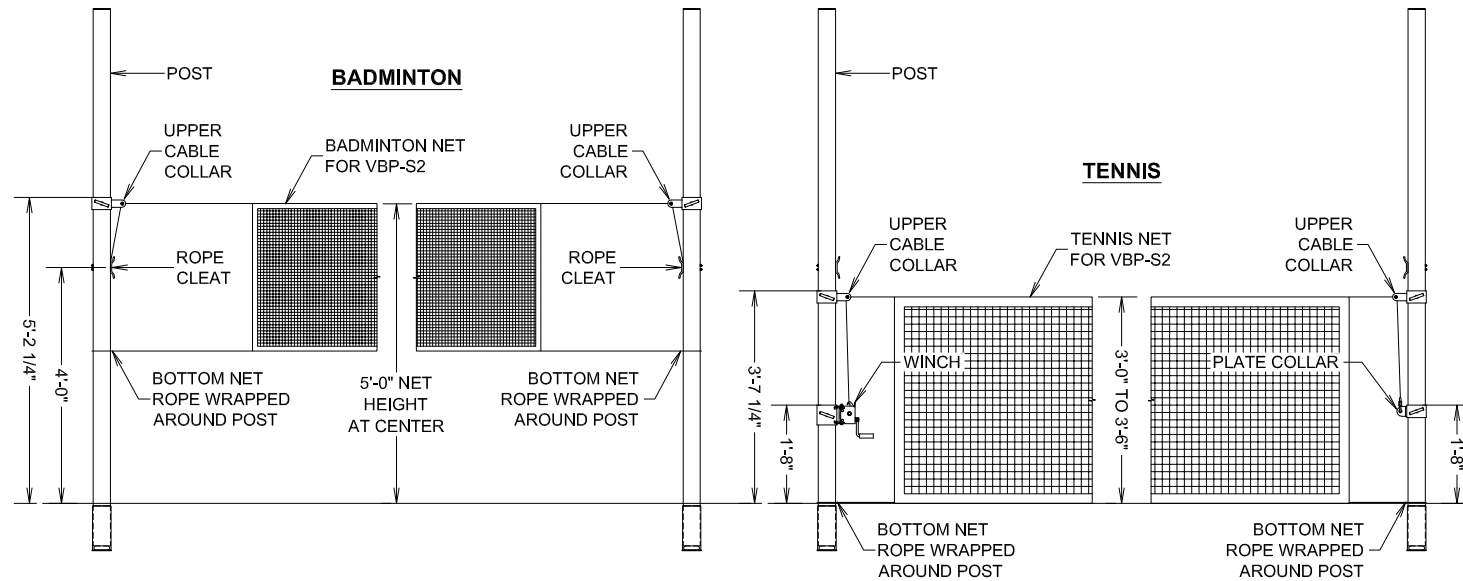
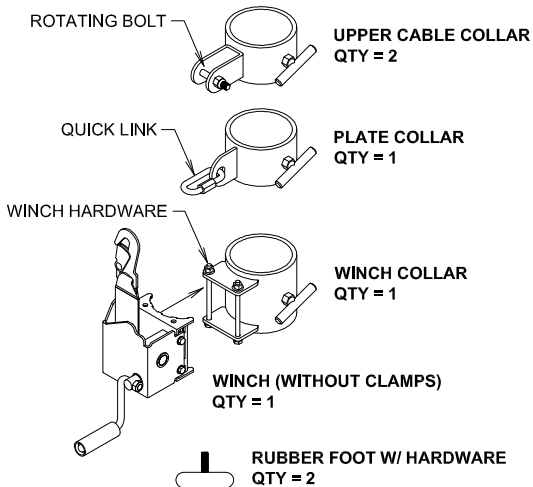


- A. Meets requirements of FIVB (Federation of International Volleyball).
- B. Meets requirements of USAV (USA Volleyball).
- C. Meets requirements of AVP (Association of Volleyball Professionals).
- D. Meets requirements of NFHS (National Federation of State H.S. Association).
- E. 3-1/2" outside diameter steel (A53) post.
- F. Multi-Sport: Volleyball, Badminton, & Tennis
- G. Steel (A500) case net tension winch with bronze and steel worm gear set.
- H. Winch includes: bushings, cable drum, nylon belt, snap hook, and crank handle.
- I. T-handle equipped collars for quick height adjustments.
- J. Welded post cap on top.
- K. Height adjustable rubber foot.
- L. One year parts warranty.
- M. Sleeve type will vary depending on install location (indoor or outdoor).
- N. Available in painted (black) or powder coated (blue hammertone) finish.



QUANTITIES PER PAIR OF POSTS



REVISION / STAGE:	MONTH / DAY / YEAR	RELATED DRAWINGS / INFORMATION:
VBP-S2		THIS DRAWING IS PROPERTY OF ARIZONA COURTLINES, INC. AND MAY NOT BE REPRODUCED WITHOUT WRITTEN PERMISSION

**VBP-S2
MULTI-SPORT VOLLEYBALL SYSTEM**

LOCATION:
 INDOOR
 OUTDOOR

FINISH:
 PAINTED
 POWDER COAT

POST SPACING:
 35'-6"
 36'-0" (STANDARD)
 OTHER: _____

ACI
 ARIZONA COURTLINES, INC.
 8742 NORTH 78TH AVENUE, PEORIA, ARIZONA 85345
 TEL. 623.939.8126 FAX. 623.939.2526
 www.ARIZONACOURTLINES.com

DRAWN BY:
 EDDIE CAFFERATA

QUANTITY: _____