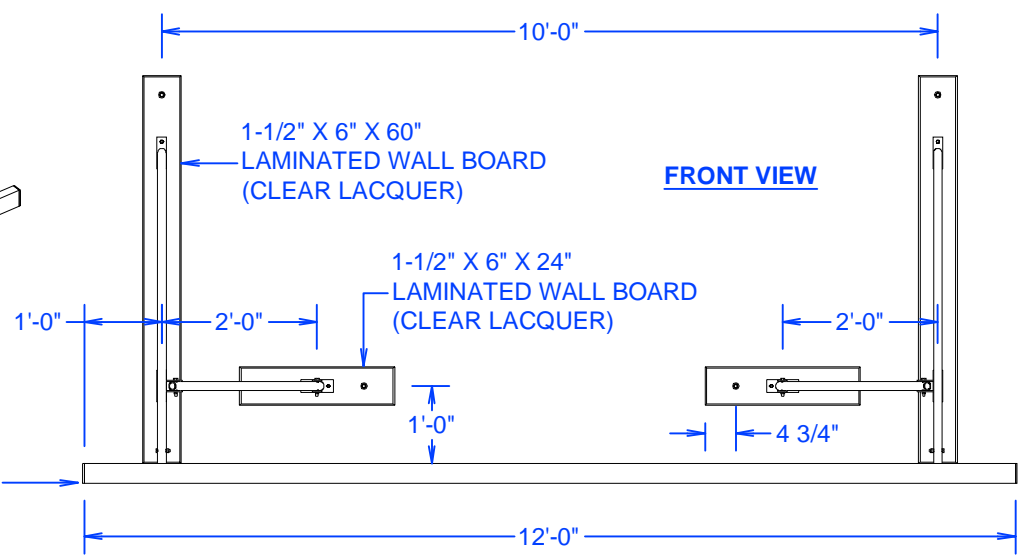
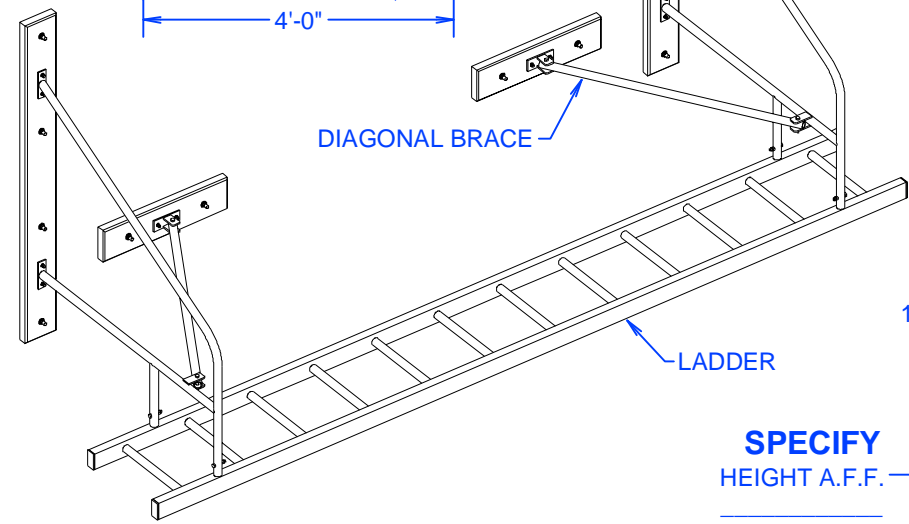
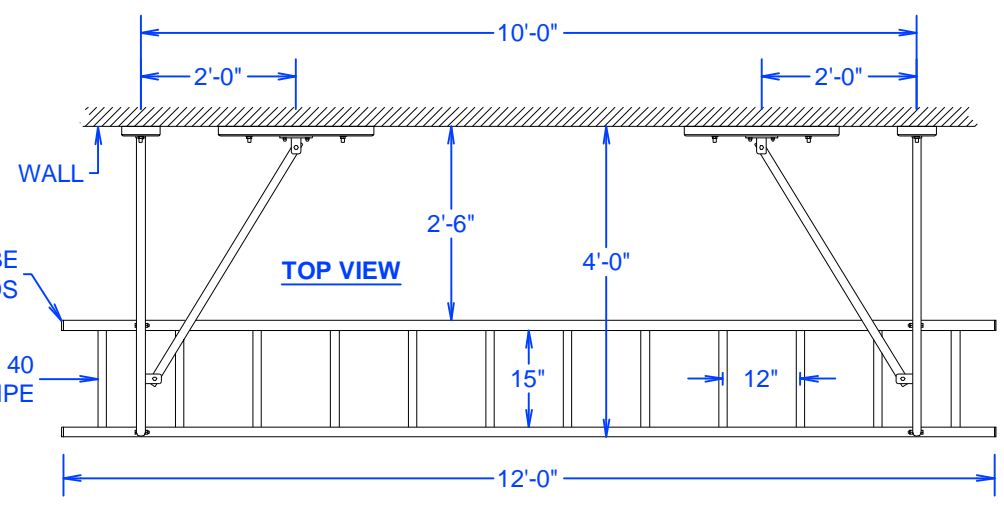


MATERIALS:
 1" SCH. 40 STEEL PIPE
 1-1/2" X 3" 16-GA RECT. TUBE
 1/4" THICK PLATES / BRACKETS
 3/8" GRADE 5 ZINC PLATED HDWE
 BLACK PAINTED FINISH



REVISION / STAGE:	MONTH / DAY / YEAR	RELATED DRAWINGS / INFORMATION:
WMHL-124		THIS DRAWING IS PROPERTY OF ARIZONA COURTLINES, INC. AND MAY NOT BE REPRODUCED WITHOUT WRITTEN PERMISSION

WMHL-124

**WALL MOUNT HORIZONTAL LADDER
 12'-0" LONG, 4'-0" OFF WALL**

ARIZONA COURTLINES, INC.

8742 NORTH 78TH AVENUE
 PEORIA, ARIZONA 85345
 TEL. 623.939.8126
 FAX. 623.939.2526
 www.ARIZONACOURTLINES.com

DRAWN BY: EDDIE CAFFERATA
CHECKED BY:
QUANTITY: