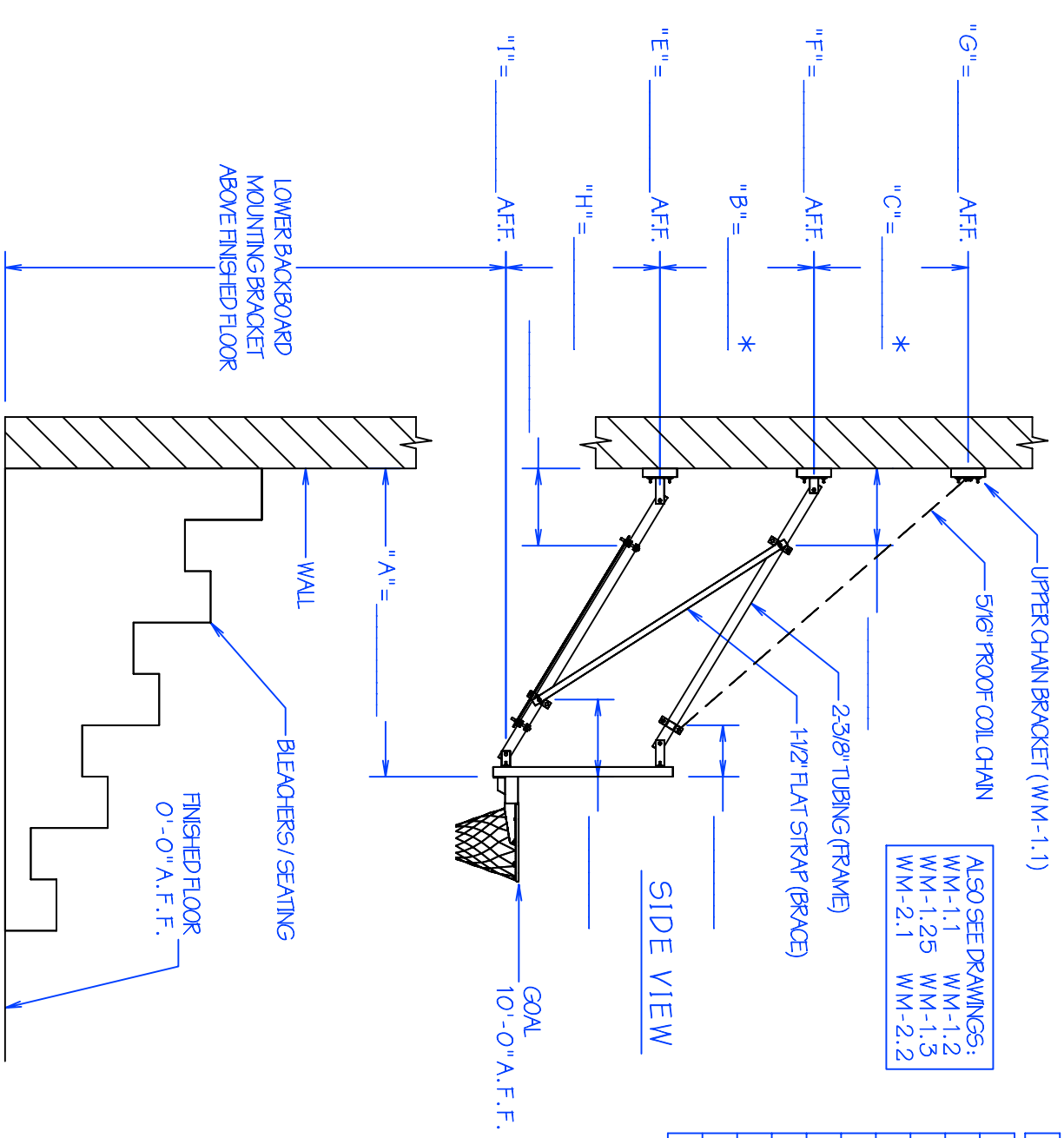
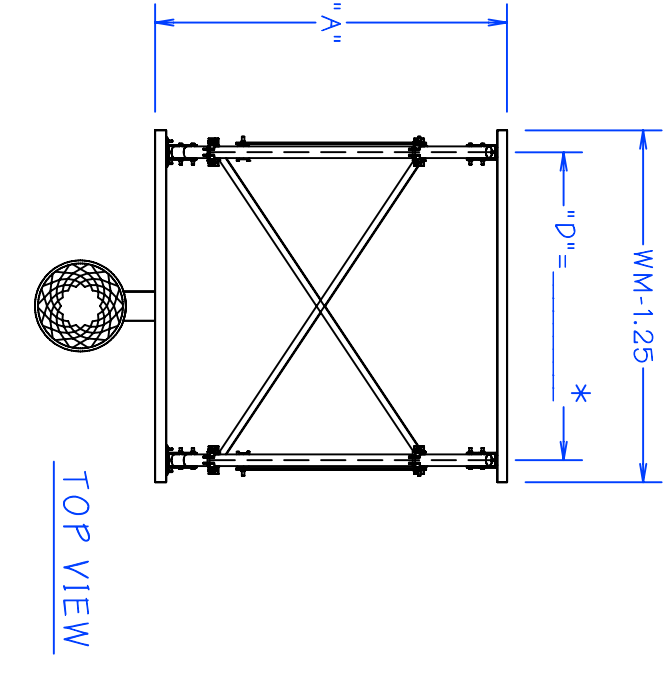


DIMENSIONS AND HOW TO CALCULATE THEM

A	SPECIFY
B	BACKBOARD VERTICAL MOUNTING BRACKET SPACING O/C
C	(A - 3'-0" = C) MIN 1'-6"
D	BACKBOARD HORIZONTAL MOUNTING BRACKET SPACING O/C
E	(1+H=E)
F	(E+B=F)
G	(F+C=G)
H	EQUAL TO B
I	LOWER BACKBOARD MOUNTING BRACKET A.F.F.
*	SEE BACKBOARD DRAWING OR MEASURE CURRENT BACKBOARD



ALSO SEE DRAWINGS:
 WM-1.1 WM-1.2
 WM-1.25 WM-1.5
 WM-2.1 WM-2.2



REVISION/STAGE:	MONTH / DAY / YEAR	RELATED DRAWINGS / INFORMATION:	W M S S WALL MOUNT STATIONARY SLOPED
W M S S	THIS DRAWING IS PROPERTY OF ARIZONA COURTLINES, INC. AND MAY NOT BE REPRODUCED WITHOUT WRITTEN PERMISSION		ARIZONA COURTLINES, INC. 8742 NORTH 75 TH AVENUE PEORIA, ARIZONA 85345 PHONE (623) 939-8126 FAX (623) 939-2326 WWW.ARIZONACOURTLINES.COM
DRAWN BY:			QUANTITY:
CHECKED BY:			
EDDIE CATERPATA			