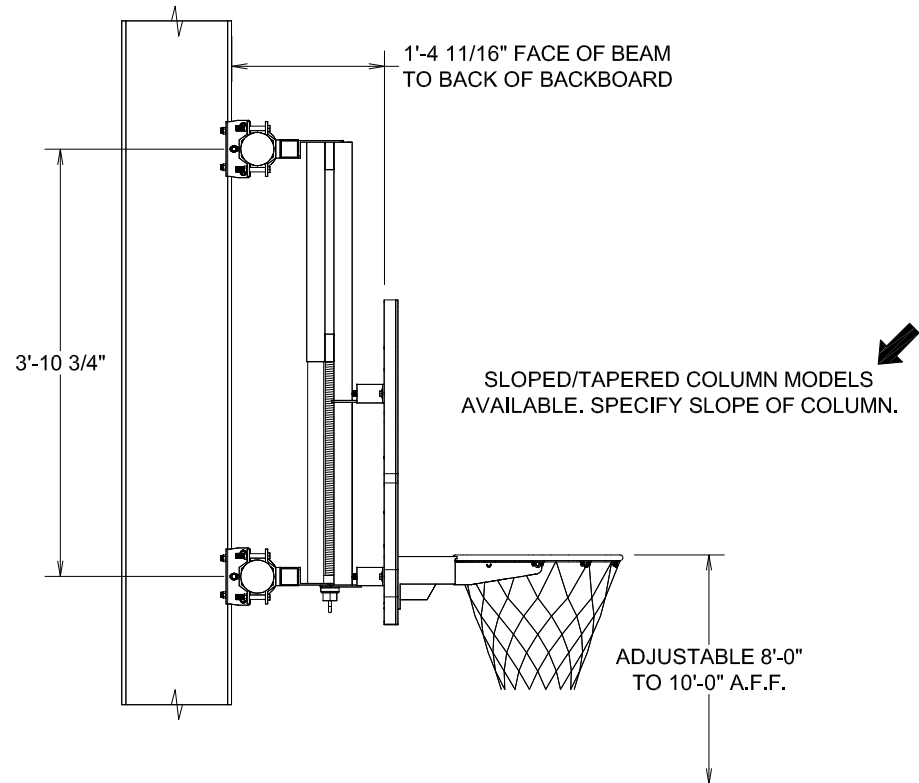


SPECIFICATIONS:
 INCLUDES ALL BRACKETS AND HARDWARE REQUIRED.
 MOUNTS TO VERTICAL STRAIGHT OR SLOPED COLUMN WITH EXPOSED FLANGE.
 FLANGE WIDTH: 6" MINIMUM, 15" MAXIMUM
 SPECIFY SLOPE ANGLE FOR TAPERED COLUMNS.
 3-1/2" O.D. TUBES (30" LONG) WITH CAPPED ENDS.
 SLIM FRAME HEIGHT ADJUSTER WITH WELDED 3-1/2" TUBE MOUNTING BRACKETS.
 HEIGHT ADJUSTER ALLOWS RIM HEIGHT BE ADJUSTED FROM 8'-0" TO 10'-0" A.F.F.
 BACKBOARD STRUT TUBE FOR STANDARD FAN BACKBOARD MOUNTING POINTS.
 1/2" DIAMETER ZINC PLATED BEAM CLAMP AND HEIGHT ADJUSTER HARDWARE.
 BEAM CLAMP BRACKET FORMED FROM 3/16" STEEL PLATE.
 HEIGHT ADJUSTER BRACKETS FORMED FROM 3/16" AND 1/4" STEEL.
 3/8" DIAMETER ZINC PLATED HARDWARE FOR MOUNTING BACKBOARD.
 STEEL BRACKETS, TUBES, AND HEIGHT ADJUSTER HAVE FLAT BLACK PAINTED FINISH.



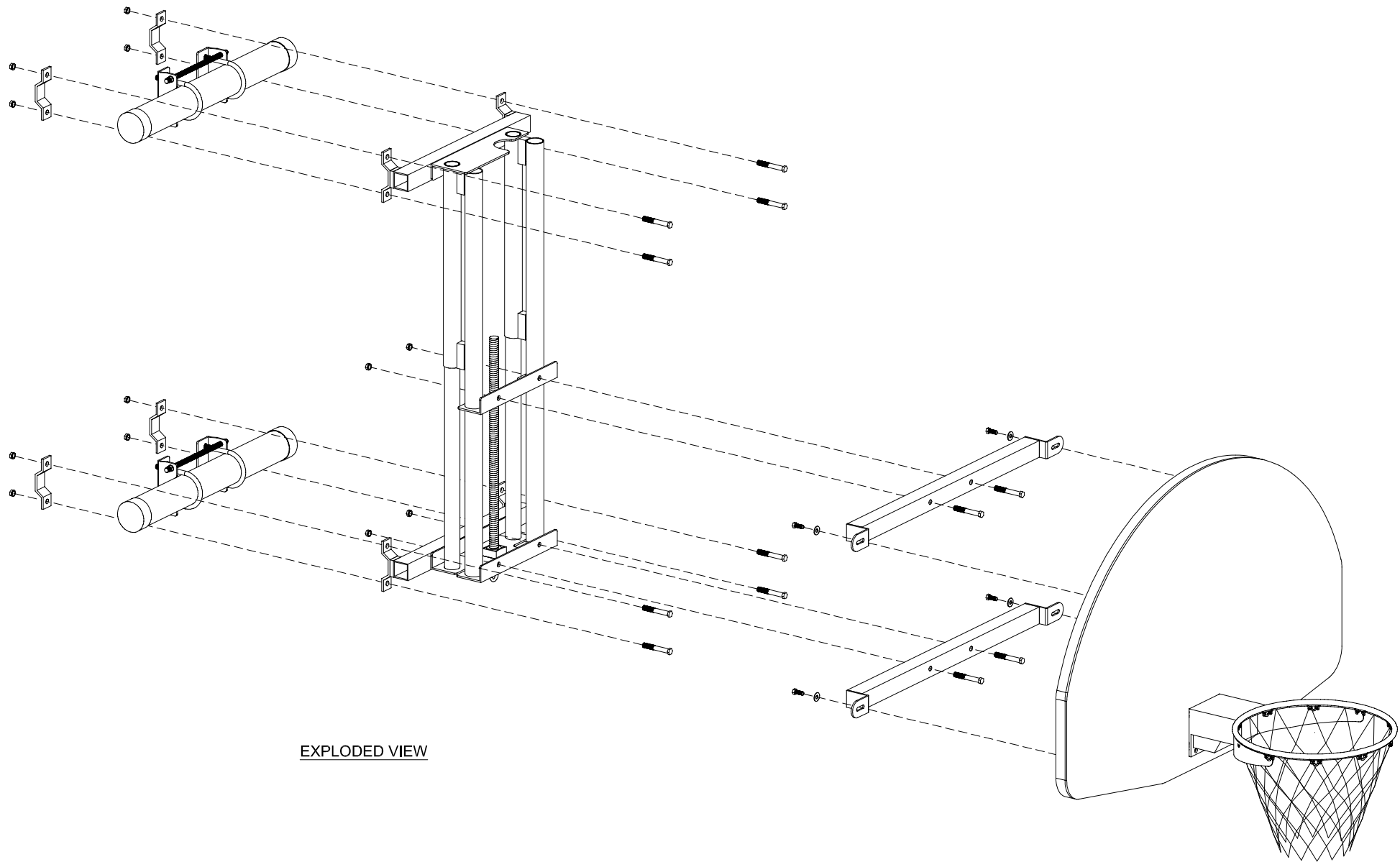
REVISION / STAGE:	MONTH / DAY / YEAR	RELATED DRAWINGS / INFORMATION:
WMST-COL-HF		THIS DRAWING IS PROPERTY OF ARIZONA COURTLINES, INC. AND MAY NOT BE REPRODUCED WITHOUT WRITTEN PERMISSION

WMST-COL-HF

**COLUMN MOUNTED STATIONARY BACKSTOP
 FOR HEIGHT ADJUSTER WITH FAN BACKBOARDS**

ARIZONA COURTLINES, INC.
 8742 NORTH 78TH AVENUE, PEORIA, ARIZONA 85345
 TEL. 623.939.8126 FAX. 623.939.2526
 www.ARIZONACOURTLINES.com

DRAWN BY: EDDIE CAFFERATA QUANTITY: _____



EXPLODED VIEW

REVISION / STAGE:	MONTH / DAY / YEAR	RELATED DRAWINGS / INFORMATION:
WMST-COL-HF		THIS DRAWING IS PROPERTY OF ARIZONA COURTLINES, INC. AND MAY NOT BE REPRODUCED WITHOUT WRITTEN PERMISSION

WMST-COL-HF

**COLUMN MOUNTED STATIONARY BACKSTOP
FOR HEIGHT ADJUSTER WITH FAN BACKBOARDS**



ARIZONA COURTLINES, INC.
8742 NORTH 78TH AVENUE, PEORIA, ARIZONA 85345
TEL. 623.939.8126 FAX. 623.939.2526
www.ARIZONACOURTLINES.com

DRAWN BY:
EDDIE CAFFERATA

QUANTITY: _____