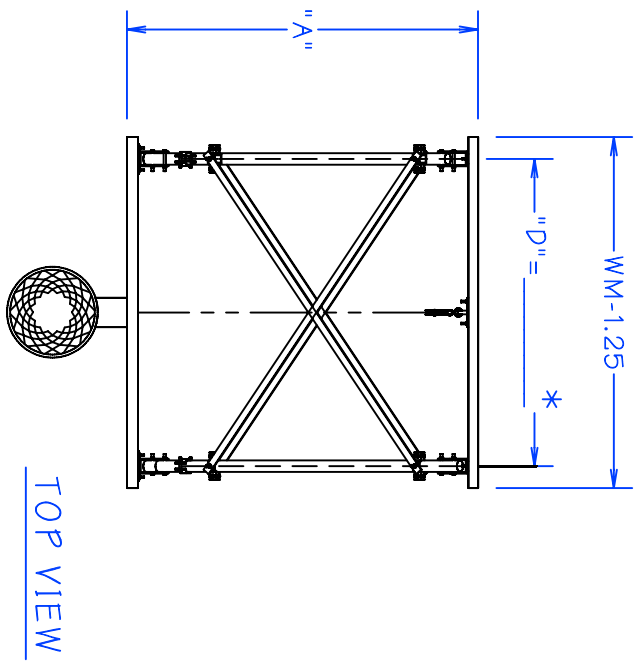


ALSO SEE DRAWINGS:
 WM-1.1 WM-1.2
 WM-1.25 WM-1.5
 WM-2.1 WM-2.2

CABLE ATTACHMENT AT
 BACKBOARD SEE DRAWING:
 "WM-2.4" OR "WM-2.45"

DIMENSIONS AND HOW TO CALCULATE THEM	
A	SPECIFY
B	BACKBOARD VERTICAL MOUNTING BRACKET SPACING O/C
C	(A - 3'-0" = C) MIN 1'-6"
D	BACKBOARD HORIZONTAL MOUNTING BRACKET SPACING O/C
E	(1+H = E)
F	(E+B = F)
G	(F+C = G)
H	EQUAL TO B
I	LOWER BACKBOARD MOUNTING BRACKET A.F.F.
*	SEE BACKBOARD DRAWING OR MEASURE CURRENT BACKBOARD

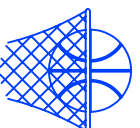


REVISION/STAGE	MONTH / DAY / YEAR	RELATED DRAWINGS / INFORMATION

WALL MOUNT
 UP-FOLD SLOPED

WMUS

ARIZONA COURTLINES, INC.



8742 NORTH 78TH AVENUE
 PEORIA, ARIZONA 86545
 PHONE (623) 939-8126
 FAX (623) 939-2526
 WWW.ARIZONACOURTLINES.COM

DRAWN BY:
 EDDIE CAFFERATA

CHECKED BY:

QUANTITY:

THIS DRAWING IS PROPERTY OF ARIZONA COURTLINES, INC. AND MAY NOT BE REPRODUCED WITHOUT WRITTEN PERMISSION.