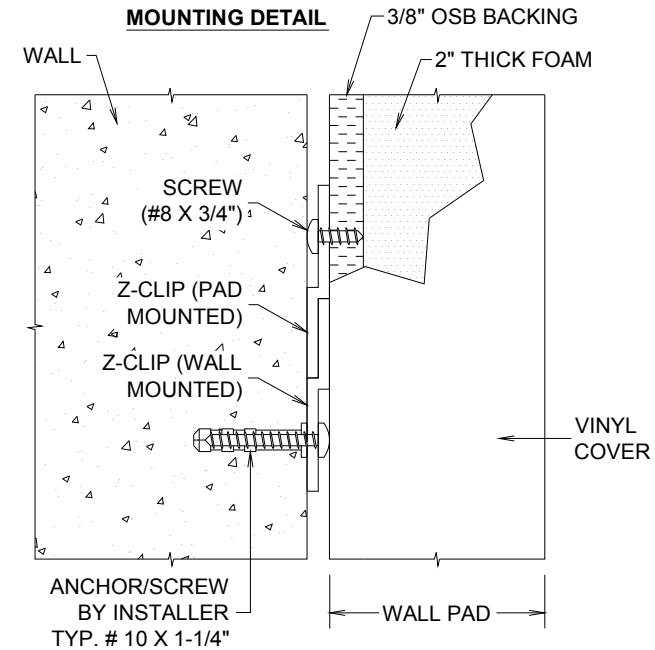


Z-CLIP ON PAD
LENGTH VARIES
TYP. LENGTH: 1'-7"

Z-CLIP ON WALL
LENGTH VARIES



SPECIFICATIONS:

- 14 OZ. VINYL COATED POLYESTER FABRIC
- VINYL WRAPPED 2" AROUND BACKSIDE OF WOOD
- VINYL FINISH STAPLED TO WOOD EVERY 3"
- VINYL TREATMENTS: ANTI-MILDEW & U.V.
- VINYL FINISH: LEATHER
- VINYL DENIER: 1300
- PASSES CSFM & NFPA-701 FIRE TESTS
- 2" THICK OPEN CELL FOAM
- FOAM DENSITY: 1.5 TO 6 LBS.
- FOAM COMPRESSION SET: 90%
- FOAM TEAR RESISTANCE: 1.2 LBS. PER LINEAR INCH
- FOAM TENSILE STRENGTH: 12-18 PSI
- WOOD BACKING: 3/8"-7/16" ORIENTED STRAND BOARD
- 6063-T5 EXTRUDED ALUMINUM "Z" MOUNTING CLIPS
- 1-YEAR WARRANTY

REVISION / STAGE:	MONTH / DAY / YEAR	RELATED DRAWINGS / INFORMATION:
WP-ZCLIP		THIS DRAWING IS PROPERTY OF ARIZONA COURTLINES, INC. AND MAY NOT BE REPRODUCED WITHOUT WRITTEN PERMISSION

**WALL PAD
Z-CLIP MOUNTED**

BOTTOM OF PAD A.F.F.

- 4" 12"
 6" ____

LIP OPTIONS:

- WITH LIP
 WITHOUT LIP

PAD HEIGHT:

- 6'-0" 8'-0"
 7'-0" ____



ARIZONA COURTLINES, INC.
8742 NORTH 78TH AVENUE, PEORIA, ARIZONA 85345
TEL. 623.939.8126 FAX. 623.939.2526
www.ARIZONACOURTLINES.com

DRAWN BY:
EDDIE CAFFERATA

QUANTITY: ____